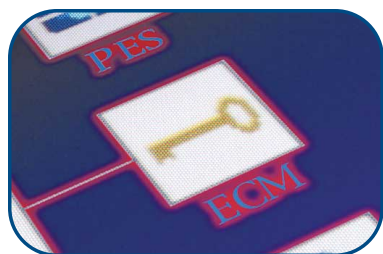
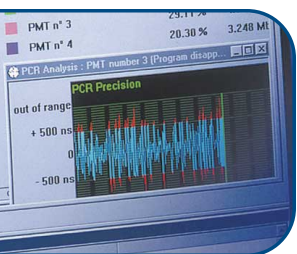


# A Guide to MPEG Fundamentals and Protocol Analysis

(Including DVB and ATSC)





# A Guide to MPEG Fundamentals and Protocol Analysis

(Including DVB and ATSC)



# **A Guide to MPEG Fundamentals and Protocol Analysis**

---

- ▶ **A Guide to MPEG Fundamentals and Protocol Analysis**
  
- ▶ **Contents**
  
- ▶ **Section 1 - Introduction to MPEG . . . . . 1**
  - 1.1 Convergence . . . . . 1
  - 1.2 Why Compression is Needed . . . . . 1
  - 1.3 Applications of Compression . . . . . 1
  - 1.4 Introduction to Video Compression . . . . . 2
  - 1.5 Introduction to Audio Compression . . . . . 4
  - 1.6 MPEG Signals . . . . . 4
  - 1.7 Need for Monitoring and Analysis . . . . . 5
  - 1.8 Pitfalls of Compression . . . . . 6
  
- ▶ **Section 2 - Compression in Video . . . . . 7**
  - 2.1 Spatial or Temporal Coding? . . . . . 7
  - 2.2 Spatial Coding . . . . . 7
  - 2.3 Weighting . . . . . 9
  - 2.4 Scanning . . . . . 10
  - 2.5 Entropy Coding . . . . . 10
  - 2.6 A Spatial Coder . . . . . 11
  - 2.7 Temporal Coding . . . . . 12
  - 2.8 Motion Compensation . . . . . 13
  - 2.9 Bidirectional Coding . . . . . 15
  - 2.10 I, P, and B Pictures . . . . . 15
  - 2.11 An MPEG Compressor . . . . . 17
  - 2.12 Preprocessing . . . . . 20
  - 2.13 Profiles and Levels . . . . . 21
  - 2.14 Wavelets . . . . . 22
  
- ▶ **Section 3 - Audio Compression . . . . . 23**
  - 3.1 The Hearing Mechanism . . . . . 23
  - 3.2 Subband Coding . . . . . 24
  - 3.3 MPEG Layer 1 . . . . . 25
  - 3.4 MPEG Layer 2 . . . . . 26
  - 3.5 Transform Coding . . . . . 26
  - 3.6 MPEG Layer 3 . . . . . 27
  - 3.7 AC-3 . . . . . 27
  
- ▶ **Section 4 - Elementary Streams . . . . . 29**
  - 4.1 Video Elementary Stream Syntax . . . . . 29
  - 4.2 Audio Elementary Streams . . . . . 30

- ▶ **Section 5 - Packetized Elementary Streams (PES) . . . . . 31**
  - 5.1 PES Packets . . . . . 31
  - 5.2 Time Stamps . . . . . 31
  - 5.3 PTS/DTS . . . . . 31
- ▶ **Section 6 - Program Streams . . . . . 33**
  - 6.1 Recording vs. Transmission . . . . . 33
  - 6.2 Introduction to Program Streams . . . . . 33
- ▶ **Section 7 - Transport Streams . . . . . 35**
  - 7.1 The Job of a Transport Stream . . . . . 35
  - 7.2 Packets . . . . . 36
  - 7.3 Program Clock Reference (PCR) . . . . . 36
  - 7.4 Packet Identification (PID) . . . . . 37
  - 7.5 Program Specific Information (PSI) . . . . . 37
- ▶ **Section 8 - Introduction to DVB/ATSC . . . . . 39**
  - 8.1 An Overall View . . . . . 39
  - 8.2 Remultiplexing . . . . . 40
  - 8.3 Service Information (SI) . . . . . 40
  - 8.4 Error Correction . . . . . 40
  - 8.5 Channel Coding . . . . . 41
  - 8.6 Inner Coding . . . . . 43
  - 8.7 Transmitting Digits . . . . . 44
- ▶ **Section 9 - MPEG Testing . . . . . 45**
  - 9.1 Testing Requirements . . . . . 45
  - 9.2 Analyzing a Transport Stream . . . . . 45
  - 9.3 Hierarchic View . . . . . 46
  - 9.4 Interpreted View . . . . . 48
  - 9.5 Syntax and CRC Analysis . . . . . 48
  - 9.6 Filtering . . . . . 49
  - 9.7 Timing Analysis . . . . . 49
  - 9.8 Elementary Stream Testing . . . . . 51
  - 9.9 Sarnoff Compliant Bit Streams . . . . . 51
  - 9.10 Elementary Stream Analysis . . . . . 52
  - 9.11 Creating a Transport Stream . . . . . 52
  - 9.12 Jitter Generation . . . . . 53
  - 9.13 DVB Tests . . . . . 53
- ▶ **Glossary . . . . . 55**

## ▶ Section 1 – Introduction to MPEG

MPEG is one of the most popular audio/video compression techniques because it is not just a single standard. Instead, it is a range of standards suitable for different applications but based on similar principles. MPEG is an acronym for the Moving Picture Experts Group which was set up by the ISO (International Standards Organization) to work on compression.

MPEG can be described as the interaction of acronyms. As ETSI stated “The CAT is a pointer to enable the IRD to find the EMMs associated with the CA system(s) that it uses.” If you can understand that sentence you don’t need this book!

### 1.1 Convergence

Digital techniques have made rapid progress in audio and video for a number of reasons. Digital information is more robust and can be coded to substantially eliminate error. This means that generation-loss in recording and losses in transmission are eliminated. The Compact Disc was the first consumer product to demonstrate this.

While the CD has an improved sound quality with respect to its vinyl predecessor, comparison of quality alone misses the point. The real point is that digital recording and transmission techniques allow content manipulation to a degree that is impossible with analog. Once audio or video are digitized, they become data. Such data cannot be distinguished from any other kind of data; therefore, digital video and audio become the province of computer technology.

The convergence of computers and audio/video is an inevitable consequence of the key inventions of computing and Pulse Code Modulation. Digital media can store any type of information, so it is easy to use a computer storage device for digital video. The nonlinear workstation was the first example of an application of convergent technology that did not have an analog forerunner. Another example, multimedia, mixed the storage of audio, video, graphics, text, and data on the same medium. Multimedia is impossible in the analog domain.

### 1.2 Why Compression is Needed

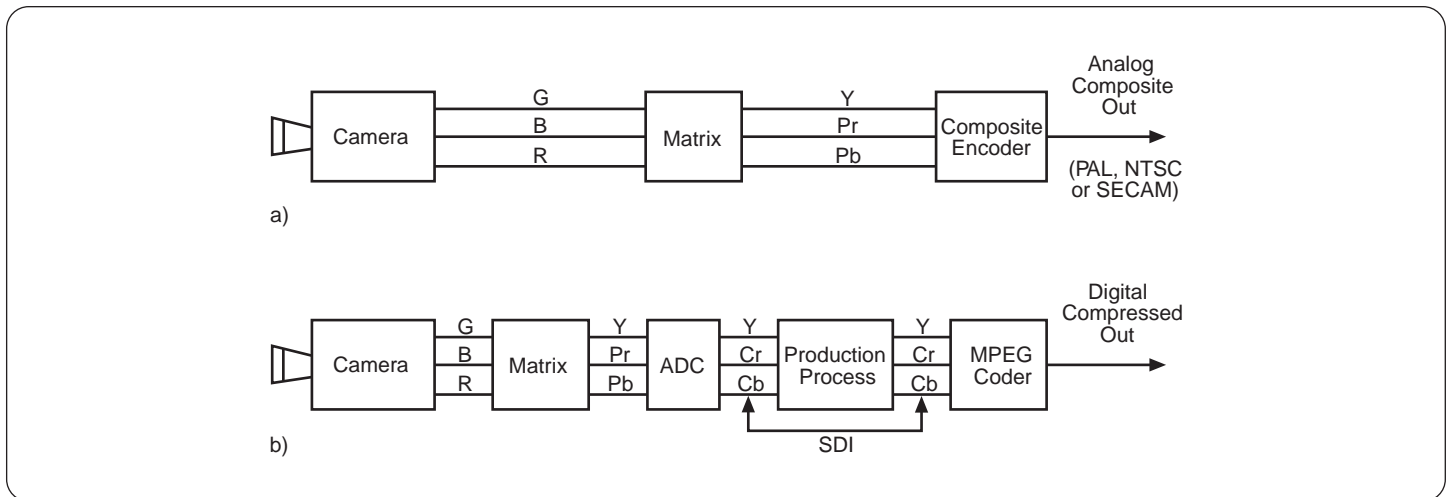
The initial success of digital video was in post-production applications, where the high cost of digital video was offset by its limitless layering and effects capability. However, production-standard digital video generates over 200 megabits per second of data and this bit rate requires extensive capacity for storage and wide bandwidth for transmission. Digital video could only be used in wider applications if the storage and bandwidth requirements could be eased; easing these requirements is the purpose of compression.

Compression is a way of expressing digital audio and video by using less data. Compression has the following advantages:

- ▶ A smaller amount of storage is needed for a given amount of source material. With high-density recording such as with tape, compression allows highly miniaturized equipment for consumer and Electronic News Gathering (ENG) use. The access time of tape improves with compression because less tape needs to be shuttled to skip over a given amount of program. With expensive storage media such as RAM, compression makes new applications affordable.
- ▶ When working in real time, compression reduces the bandwidth needed. Additionally, compression allows faster-than-real-time transfer between media, for example, between tape and disk.
- ▶ A compressed recording format can afford a lower recording density and this can make the recorder less sensitive to environmental factors and maintenance.

### 1.3 Applications of Compression

Compression has a long association with television. Interlace is a simple form of compression giving a 2:1 reduction in bandwidth. The use of color-difference signals instead of GBR is another form of compression. Because the eye is less sensitive to color detail, the color-difference signals need less bandwidth. When color broadcasting was introduced, the channel structure of monochrome had to be retained and composite video was developed. Composite video systems, such as PAL, NTSC, and SECAM, are forms of compression because they use the same bandwidth for color as was used for monochrome.



► **Figure 1-1.**

Figure 1-1a shows that in traditional television systems, the GBR camera signal is converted to Y, Pr, Pb components for production and encoded into analog composite for transmission. Figure 1-1b shows the modern equivalent. The Y, Pr, Pb signals are digitized and carried as Y, Cr, Cb signals in SDI form through the production process prior to being encoded with MPEG for transmission. Clearly, MPEG can be considered by the broadcaster as a more efficient replacement for composite video. In addition, MPEG has greater flexibility because the bit rate required can be adjusted to suit the application. At lower bit rates and resolutions, MPEG can be used for video conferencing and video telephones.

DVB and ATSC (the European- and American-originated digital-television broadcasting standards) would not be viable without compression because the bandwidth required would be too great. Compression extends the playing time of DVD (digital video/versatile disc) allowing full-length movies on a standard size compact disc. Compression also reduces the cost of Electronic News Gathering and other contributions to television production.

In tape recording, mild compression eases tolerances and adds reliability in Digital Betacam and Digital-S, whereas in SX, DVC, DVCPRO, and DVCAM, the goal is miniaturization. In magnetic disk drives, such as the Tektronix Profile® storage system, that are used in file servers and networks (especially for news purposes), compression lowers storage cost. Compression also lowers bandwidth, which allows more users to access a given server. This characteristic is also important for VOD (Video On Demand) applications.

### 1.4 Introduction to Video Compression

In all real program material, there are two types of components of the signal: those which are novel and unpredictable and those which can be anticipated. The

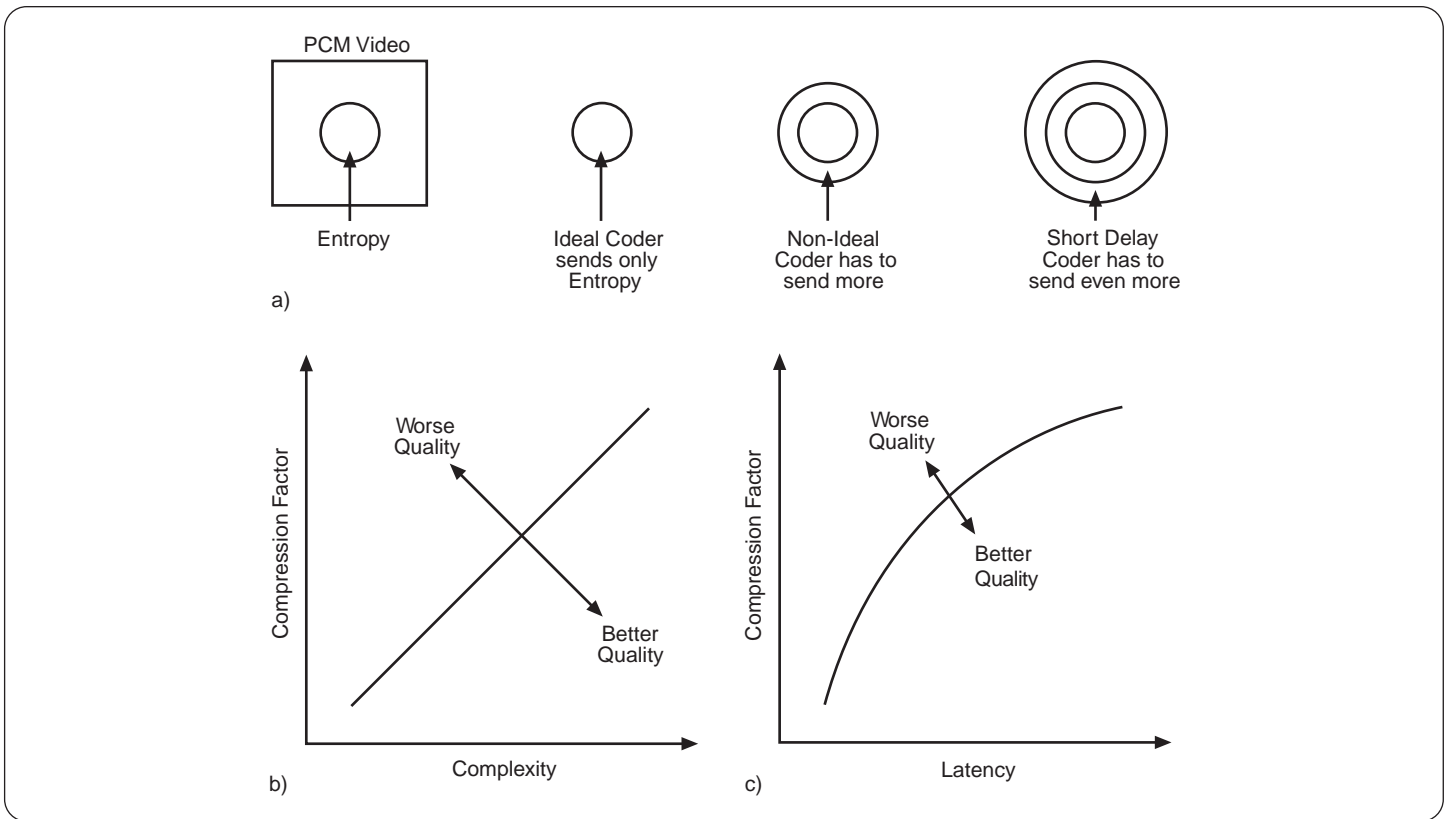
novel component is called entropy and is the true information in the signal. The remainder is called redundancy because it is not essential. Redundancy may be spatial, as it is in large plain areas of picture where adjacent pixels have almost the same value. Redundancy can also be temporal as it is where similarities between successive pictures are used. All compression systems work by separating the entropy from the redundancy in the encoder. Only the entropy is recorded or transmitted and the decoder computes the redundancy from the transmitted signal. Figure 1-2a shows this concept.

An ideal encoder would extract all the entropy and only this will be transmitted to the decoder. An ideal decoder would then reproduce the original signal. In practice, this ideal cannot be reached. An ideal coder would be complex and cause a very long delay in order to use temporal redundancy. In certain applications, such as recording or broadcasting, some delay is acceptable, but in videoconferencing it is not. In some cases, a very complex coder would be too expensive. It follows that there is no one ideal compression system.

In practice, a range of coders is needed which have a range of processing delays and complexities. The power of MPEG is that it is not a single compression format, but a range of standardized coding tools that can be combined flexibly to suit a range of applications. The way in which coding has been performed is included in the compressed data so that the decoder can automatically handle whatever the coder decided to do.

MPEG coding is divided into several profiles that have different complexity, and each profile can be implemented at a different level depending on the resolution of the input picture. Section 2 considers profiles and levels in detail.





► **Figure 1-2.**

There are many different digital video formats and each has a different bit rate. For example a high definition system might have six times the bit rate of a standard definition system. Consequently, just knowing the bit rate out of the coder is not very useful. What matters is the compression factor, which is the ratio of the input bit rate to the compressed bit rate, for example 2:1, 5:1, and so on.

Unfortunately the number of variables involved make it very difficult to determine a suitable compression factor. Figure 1-2a shows that for an ideal coder, if all of the entropy is sent, the quality is good. However, if the compression factor is increased in order to reduce the bit rate, not all of the entropy is sent and the quality falls. Note that in a compressed system when the quality loss occurs, it is steep (Figure 1-2b). If the available bit rate is inadequate, it is better to avoid this area by reducing the entropy of the input picture. This can be done by filtering. The loss of resolution caused by the filtering is subjectively more acceptable than the compression artifacts.

To identify the entropy perfectly, an ideal compressor would have to be extremely complex. A practical compressor may be less complex for economic

reasons and must send more data to be sure of carrying all of the entropy. Figure 1-2b shows the relationship between coder complexity and performance. The higher the compression factor required, the more complex the encoder has to be.

The entropy in video signals varies. A recording of an announcer delivering the news has much redundancy and is easy to compress. In contrast, it is more difficult to compress a recording with leaves blowing in the wind or one of a football crowd that is constantly moving and therefore has less redundancy (more information or entropy). In either case, if all the entropy is not sent, there will be quality loss. Thus, we may choose between a constant bit-rate channel with variable quality or a constant quality channel with variable bit rate. Telecommunications network operators tend to prefer a constant bit rate for practical purposes, but a buffer memory can be used to average out entropy variations if the resulting increase in delay is acceptable. In recording, a variable bit rate may be easier to handle and DVD uses variable bit rate, speeding up the disc where difficult material exists.

Intra-coding (intra = within) is a technique that exploits spatial redundancy, or redundancy within the picture; inter-coding (inter = between) is a technique

## A Guide to MPEG Fundamentals and Protocol Analysis

that exploits temporal redundancy. Intra-coding may be used alone, as in the JPEG standard for still pictures, or combined with inter-coding as in MPEG.

Intra-coding relies on two characteristics of typical images. First, not all spatial frequencies are simultaneously present, and second, the higher the spatial frequency, the lower the amplitude is likely to be. Intra-coding requires analysis of the spatial frequencies in an image. This analysis is the purpose of transforms such as wavelets and DCT (discrete cosine transform). Transforms produce coefficients which describe the magnitude of each spatial frequency. Typically, many coefficients will be zero, or nearly zero, and these coefficients can be omitted, resulting in a reduction in bit rate.

Inter-coding relies on finding similarities between successive pictures. If a given picture is available at the decoder, the next picture can be created by sending only the picture differences. The picture differences will be increased when objects move, but this magnification can be offset by using motion compensation, since a moving object does not generally change its appearance very much from one picture to the next. If the motion can be measured, a closer approximation to the current picture can be created by shifting part of the previous picture to a new location. The shifting process is controlled by a vector that is transmitted to the decoder. The vector transmission requires less data than sending the picture-difference data.

MPEG can handle both interlaced and non-interlaced images. An image at some point on the time axis is called a "picture," whether it is a field or a frame. Interlace is not ideal as a source for digital compression because it is in itself a compression technique. Temporal coding is made more complex because pixels in one field are in a different position to those in the next.

Motion compensation minimizes but does not eliminate the differences between successive pictures. The picture-difference is itself a spatial image and can be compressed using transform-based intra-coding as previously described. Motion compensation simply reduces the amount of data in the difference image.

The efficiency of a temporal coder rises with the time span over which it can act. Figure 1-2c shows that if a high compression factor is required, a longer time span in the input must be considered and thus a longer coding delay will be experienced. Clearly, temporally coded signals are difficult to edit because the content of a given output picture may be based on image data which was trans-

mitted some time earlier. Production systems will have to limit the degree of temporal coding to allow editing and this limitation will in turn limit the available compression factor.

### 1.5 Introduction to Audio Compression

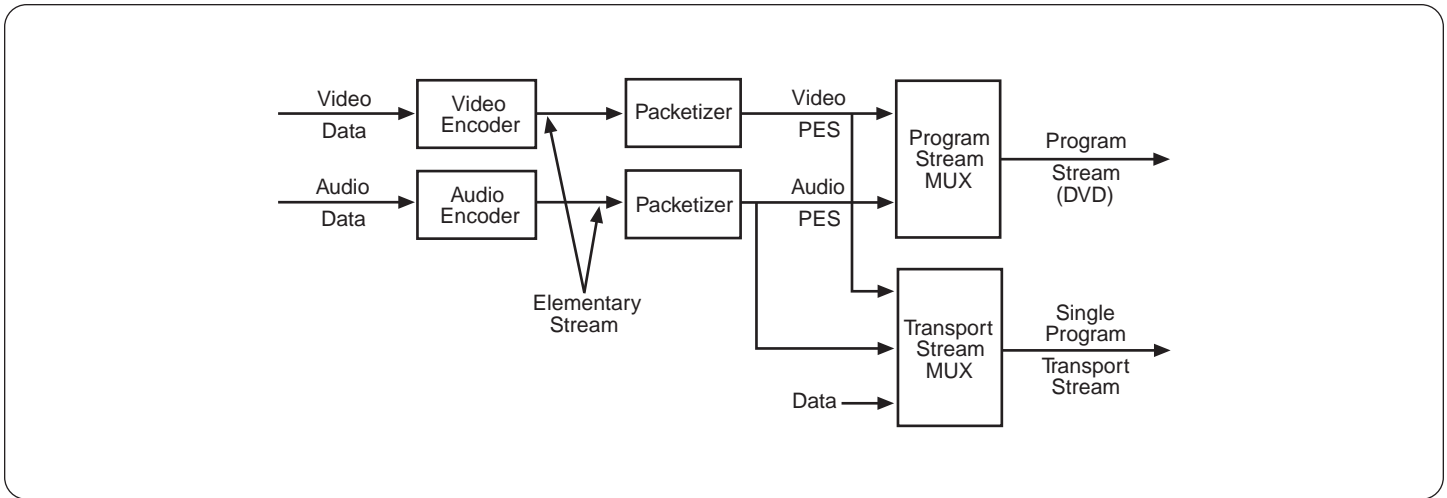
The bit rate of a PCM digital audio channel is only about one megabit per second, which is about 0.5% of 4:2:2 digital video. With mild video compression schemes, such as Digital Betacam, audio compression is unnecessary. But, as the video compression factor is raised, it becomes necessary to compress the audio as well.

Audio compression takes advantage of two facts. First, in typical audio signals, not all frequencies are simultaneously present. Second, because of the phenomenon of masking, human hearing cannot discern every detail of an audio signal. Audio compression splits the audio spectrum into bands by filtering or transforms, and includes less data when describing bands in which the level is low. Where masking prevents or reduces audibility of a particular band, even less data needs to be sent.

Audio compression is not as easy to achieve as is video compression because of the acuity of hearing. Masking only works properly when the masking and the masked sounds coincide spatially. Spatial coincidence is always the case in mono recordings but not in stereo recordings, where low-level signals can still be heard if they are in a different part of the sound stage. Consequently, in stereo and surround sound systems, a lower compression factor is allowable for a given quality. Another factor complicating audio compression is that delayed resonances in poor loudspeakers actually mask compression artifacts. Testing a compressor with poor speakers gives a false result, and signals which are apparently satisfactory may be disappointing when heard on good equipment.

### 1.6 MPEG Signals

The output of a single MPEG audio or video coder is called an Elementary Stream. An Elementary Stream is an endless near real-time signal. For convenience, it can be broken into convenient-sized data blocks in a Packetized Elementary Stream (PES). These data blocks need header information to identify the start of the packets and must include time stamps because packetizing disrupts the time axis.



► **Figure 1-3.**

Figure 1-3 shows that one video PES and a number of audio PES can be combined to form a Program Stream, provided that all of the coders are locked to a common clock. Time stamps in each PES ensure lip-sync between the video and audio. Program Streams have variable-length packets with headers. They find use in data transfers to and from optical and hard disks, which are error free and in which files of arbitrary sizes are expected. DVD uses Program Streams.

For transmission and digital broadcasting, several programs and their associated PES can be multiplexed into a single Transport Stream. A Transport Stream differs from a Program Stream in that the PES packets are further subdivided into short fixed-size packets and in that multiple programs encoded with different clocks can be carried. This is possible because a transport stream has a program clock reference (PCR) mechanism which allows transmission of multiple clocks, one of which is selected and regenerated at the decoder. A Single Program Transport Stream (SPTS) is also possible and this may be found between a coder and a multiplexer. Since a Transport Stream can genlock the decoder clock to the encoder clock, the Single Program Transport Stream (SPTS) is more common than the Program Stream.

A Transport Stream is more than just a multiplex of audio and video PES. In addition to the compressed audio, video, and data, a Transport Stream includes a great deal of metadata describing the bit stream. This includes the Program Association Table (PAT) that lists every program in the transport stream. Each entry in the PAT points to a Program Map Table (PMT) that lists the elementary streams making up each program. Some programs will be open, but some programs may be subject to conditional access (encryption) and this information is also carried in the metadata.

The Transport Stream consists of fixed-size data packets, each containing 188 bytes. Each packet carries a packet identifier code (PID). Packets in the same elementary stream all have the same PID, so that the decoder (or a demultiplexer) can select the elementary stream(s) it wants and reject the remainder. Packet-continuity counts ensure that every packet that is needed to decode a stream is received. An effective synchronization system is needed so that decoders can correctly identify the beginning of each packet and deserialize the bit stream into words.

### 1.7 Need for Monitoring and Analysis

The MPEG transport stream is an extremely complex structure using interlinked tables and coded identifiers to separate the programs and the elementary streams within the programs. Within each elementary stream, there is a complex structure, allowing a decoder to distinguish between, for example, vectors, coefficients and quantization tables.

Failures can be divided into two broad categories. In the first category, the transport system correctly multiplexes and delivers information from an encoder to a decoder with no bit errors or added jitter, but the encoder or the decoder has a fault. In the second category, the encoder and decoder are fine, but the transport of data from one to the other is defective. It is very important to know whether the fault lies in the encoder, the transport, or the decoder if a prompt solution is to be found.

Synchronizing problems, such as loss or corruption of sync patterns, may prevent reception of the entire transport stream. Transport-stream protocol defects may prevent the decoder from finding all of the data for a program, perhaps

## A Guide to MPEG Fundamentals and Protocol Analysis

delivering picture but not sound. Correct delivery of the data but with excessive jitter can cause decoder timing problems.

If a system using an MPEG transport stream fails, the fault could be in the encoder, the multiplexer, or in the decoder. How can this fault be isolated? First, verify that a transport stream is compliant with the MPEG-coding standards. If the stream is not compliant, a decoder can hardly be blamed for having difficulty. If it is, the decoder may need attention.

Traditional video testing tools, the signal generator, the waveform monitor, and vectorscope, are not appropriate in analyzing MPEG systems, except to ensure that the video signals entering and leaving an MPEG system are of suitable quality. Instead, a reliable source of valid MPEG test signals is essential for testing receiving equipment and decoders. With a suitable analyzer, the performance of encoders, transmission systems, multiplexers, and remultiplexers can be assessed with a high degree of confidence. As a long standing supplier of high grade test equipment to the video industry, Tektronix continues to provide test and measurement solutions as the technology evolves, giving the MPEG user the confidence that complex compressed systems are correctly functioning and allowing rapid diagnosis when they are not.

### 1.8 Pitfalls of Compression

MPEG compression is lossy in that what is decoded, is not identical to the original. The entropy of the source varies, and when entropy is high, the compression system may leave visible artifacts when decoded. In temporal compression, redundancy between successive pictures is assumed. When this is not the case, the system fails. An example is video from a press conference where flashguns are firing. Individual pictures containing the flash are totally different from their neighbors, and coding artifacts become obvious.

Irregular motion or several independently moving objects on screen require a lot of vector bandwidth and this requirement may only be met by reducing the picture-data bandwidth. Again, visible artifacts may occur whose level varies and depends on the motion. This problem often occurs in sports-coverage video.

Coarse quantizing results in luminance contouring and posterized color. These can be seen as blotchy shadows and blocking on large areas of plain color. Subjectively, compression artifacts are more annoying than the relatively constant impairments resulting from analog television transmission systems.

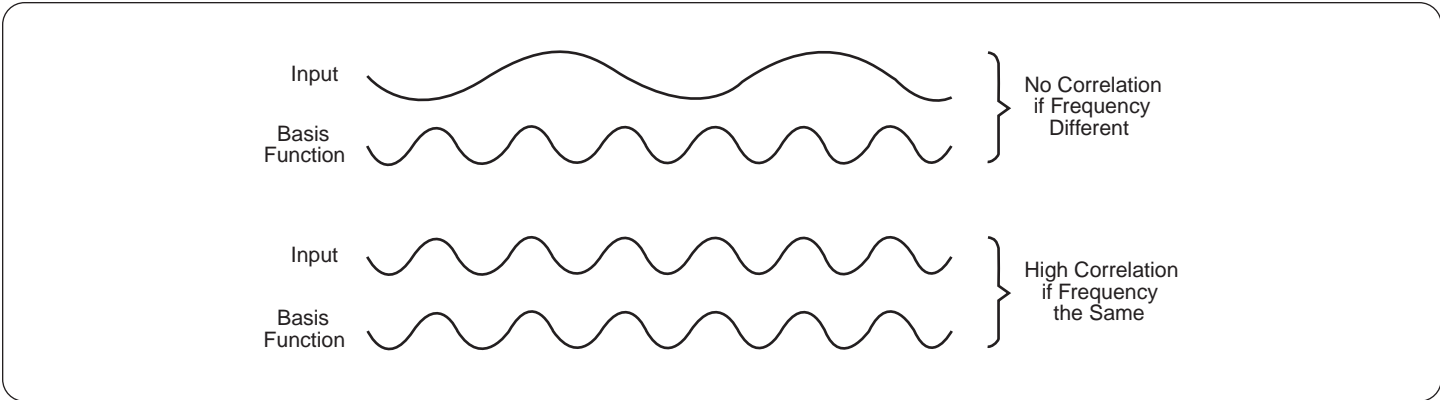
The only solution to these problems is to reduce the compression factor. Consequently, the compression user has to make a value judgment between the economy of a high compression factor and the level of artifacts.

In addition to extending the encoding and decoding delay, temporal coding also causes difficulty in editing. In fact, an MPEG bit stream cannot be arbitrarily edited at all. This restriction occurs because, in temporal coding, the decoding of one picture may require the contents of an earlier picture and the contents may not be available following an edit. The fact that pictures may be sent out of sequence also complicates editing.

If suitable coding has been used, edits can take place only at splice points, which are relatively widely spaced. If arbitrary editing is required, the MPEG stream must undergo a read-modify-write process, which will result in generation loss.

The viewer is not interested in editing, but the production user will have to make another value judgment about the edit flexibility required. If greater flexibility is required, the temporal compression has to be reduced and a higher bit rate will be needed.

► Section 2 - Compression in Video



► Figure 2-1.

This section shows how video compression is based on the perception of the eye. Important enabling techniques, such as transforms and motion compensation, are considered as an introduction to the structure of an MPEG coder.

**2.1 Spatial or Temporal Coding?**

As was seen in Section 1, video compression can take advantage of both spatial and temporal redundancy. In MPEG, temporal redundancy is reduced first by using similarities between successive pictures. As much as possible of the current picture is created or “predicted” by using information from pictures already sent. When this technique is used, it is only necessary to send a difference picture, which eliminates the differences between the actual picture and the prediction. The difference picture is then subject to spatial compression. As a practical matter it is easier to explain spatial compression prior to explaining temporal compression.

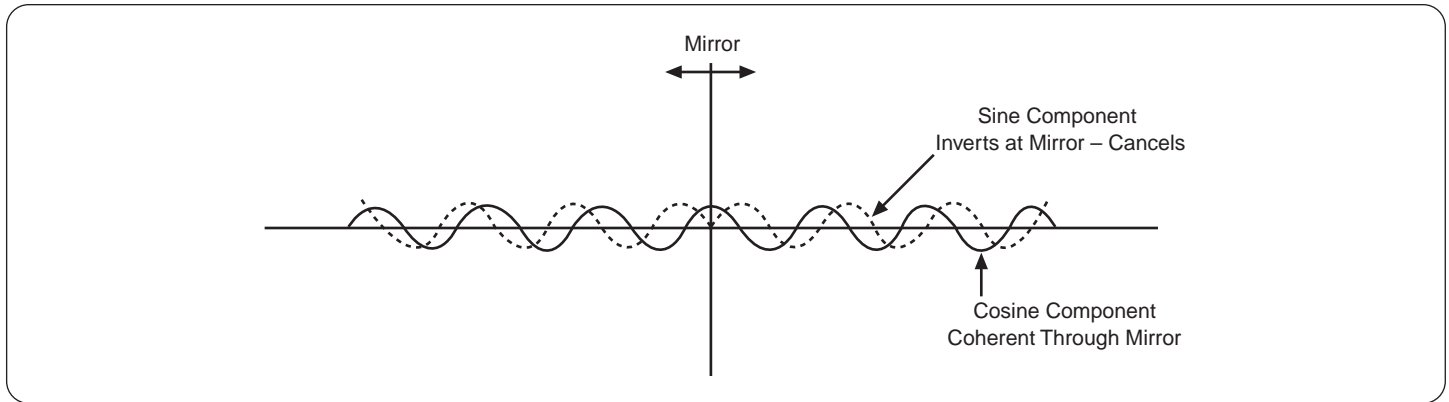
Spatial compression relies on similarities between adjacent pixels in plain areas of picture and on dominant spatial frequencies in areas of patterning. The JPEG system uses spatial compression only, since it is designed to transmit individual still pictures. However, JPEG may be used to code a succession of individual pictures for video. In the so-called “Motion JPEG” application, the compression factor will not be as good as if temporal coding was used, but the bit stream will be freely editable on a picture-by-picture basis.

**2.2 Spatial Coding**

The first step in spatial coding is to perform an analysis of spatial frequency using a transform. A transform is simply a way of expressing a waveform in a different domain, in this case, the frequency domain. The output of a transform is a set of coefficients that describe how much of a given frequency is present. An inverse transform reproduces the original waveform. If the coefficients are handled with sufficient accuracy, the output of the inverse transform is identical to the original waveform.

The most well known transform is the Fourier transform. This transform finds each frequency in the input signal. It finds each frequency by multiplying the input waveform by a sample of a target frequency, called a basis function, and integrating the product. Figure 2-1 shows that when the input waveform does not contain the target frequency, the integral will be zero, but when it does, the integral will be a coefficient describing the amplitude of that component frequency.

The results will be as described if the frequency component is in phase with the basis function. However if the frequency component is in quadrature with the basis function, the integral will still be zero. Therefore, it is necessary to perform two searches for each frequency, with the basis functions in quadrature with one another so that every phase of the input will be detected.



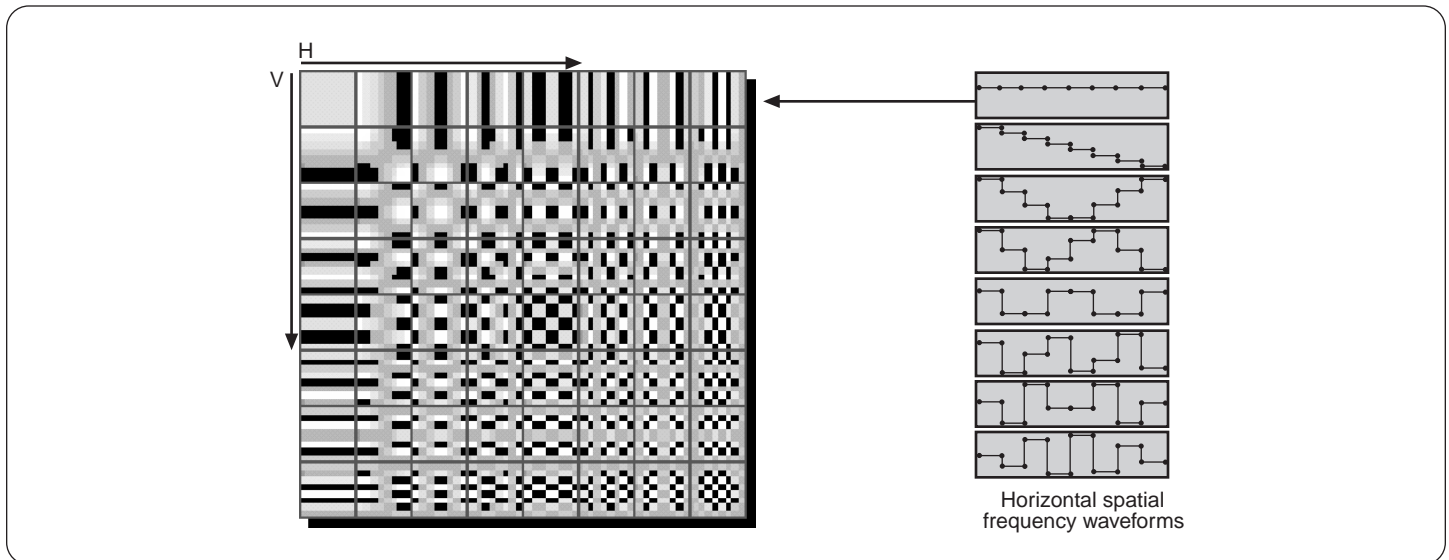
► **Figure 2-2.**

The Fourier transform has the disadvantage of requiring coefficients for both sine and cosine components of each frequency. In the cosine transform, the input waveform is time-mirrored with itself prior to multiplication by the basis functions. Figure 2-2 shows that this mirroring cancels out all sine components and doubles all of the cosine components. The sine basis function is unnecessary and only one coefficient is needed for each frequency.

The discrete cosine transform (DCT) is the sampled version of the cosine transform and is used extensively in two-dimensional form in MPEG. A block of 8 x 8 pixels is transformed to become a block of 8 x 8 coefficients. Since the transform requires multiplication by fractions, there is wordlength extension, resulting in coefficients that have longer wordlength than the pixel values.

Typically an 8-bit pixel block results in an 11-bit coefficient block. Thus, a DCT does not result in any compression; in fact it results in the opposite. However, the DCT converts the source pixels into a form where compression is easier.

Figure 2-3 shows the results of an inverse transform of each of the individual coefficients of an 8 x 8 DCT. In the case of the luminance signal, the top-left coefficient is the average brightness or DC component of the whole block. Moving across the top row, horizontal spatial frequency increases. Moving down the left column, vertical spatial frequency increases. In real pictures, different vertical and horizontal spatial frequencies may occur simultaneously and a coefficient at some point within the block will represent all possible horizontal and vertical combinations.



► **Figure 2-3.**

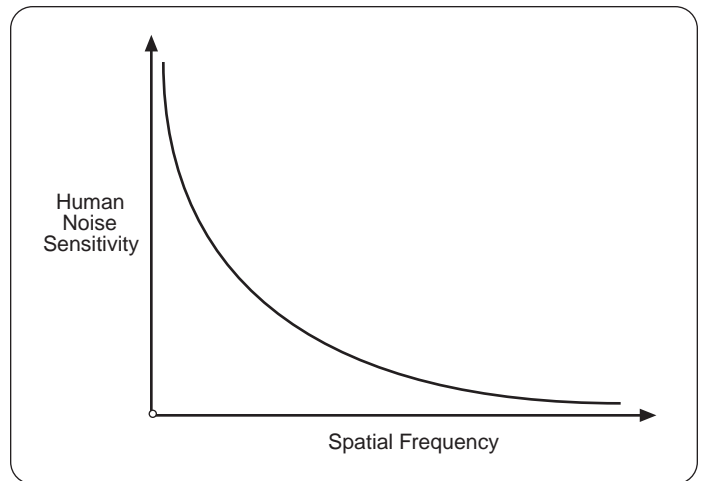
Figure 2-3 also shows the coefficients as a one-dimensional horizontal waveform. Combining these waveforms with various amplitudes and either polarity can reproduce any combination of 8 pixels. Thus combining the 64 coefficients of the 2-D DCT will result in the original 8 x 8 pixel block. Clearly for color pictures, the color difference samples will also need to be handled. Y, Cr, and Cb data are assembled into separate 8 x 8 arrays and are transformed individually. In much real program material, many of the coefficients will have zero or near-zero values and, therefore, will not be transmitted. This fact results in significant compression that is virtually lossless. If a higher compression factor is needed, then the wordlength of the non-zero coefficients must be reduced. This reduction will reduce accuracy of these coefficients and will introduce losses into the process. With care, the losses can be introduced in a way that is least visible to the viewer.

### 2.3 Weighting

Figure 2-4 shows that the human perception of noise in pictures is not uniform but is a function of the spatial frequency. More noise can be tolerated at high spatial frequencies. Also, video noise is effectively masked by fine detail in the picture, whereas in plain areas it is highly visible. The reader will be aware that traditional noise measurements are always weighted so that the technical measurement relates to the subjective result.

Compression reduces the accuracy of coefficients and has a similar effect to using shorter wordlength samples in PCM; that is, the noise level rises. In PCM, the result of shortening the word-length is that the noise level rises equally at all frequencies. As the DCT splits the signal into different frequencies, it becomes possible to control the spectrum of the noise. Effectively, low-frequency coefficients are rendered more accurately than high-frequency coefficients by a process of weighting.

Figure 2-5 shows that, in the weighting process, the coefficients from the DCT are divided by constants that are a function of two-dimensional frequency. Low-frequency coefficients will be divided by small numbers, and high-frequency coefficients will be divided by large numbers. Following the division, the least-significant bit is discarded or truncated. This truncation is a form of requantizing. In the absence of weighting, this requantizing would have the effect of doubling the size of the quantizing step, but with weighting, it increases the step size according to the division factor.



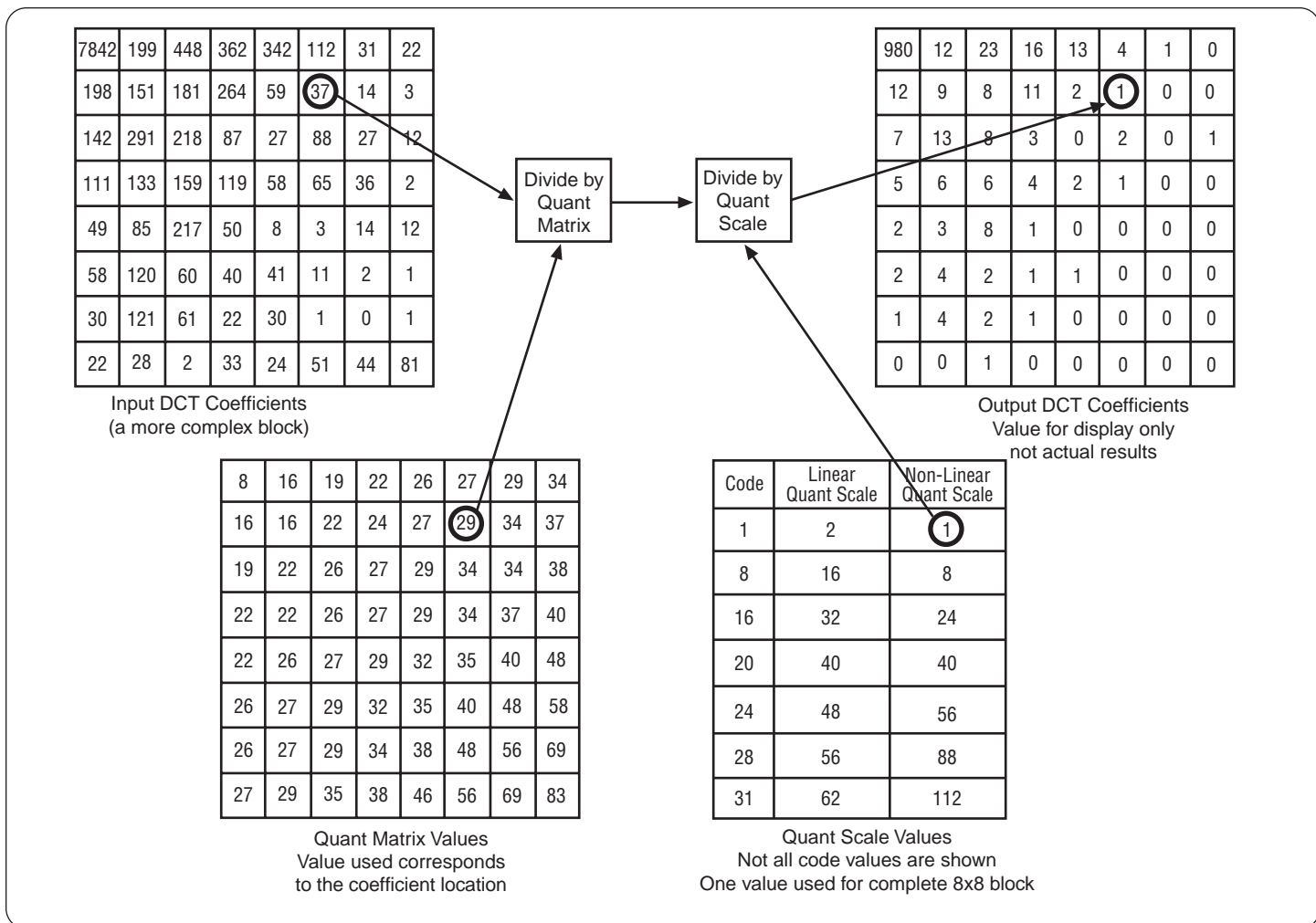
▶ **Figure 2-4.**

As a result, coefficients representing low spatial frequencies are requantized with relatively small steps and suffer little increased noise. Coefficients representing higher spatial frequencies are requantized with large steps and suffer more noise. However, fewer steps means that fewer bits are needed to identify the step and a compression is obtained.

In the decoder, a low-order zero will be added to return the weighted coefficients to their correct magnitude. They will then be multiplied by inverse weighting factors. Clearly, at high frequencies the multiplication factors will be larger, so the requantizing noise will be greater. Following inverse weighting, the coefficients will have their original DCT output values, plus requantizing error, which will be greater at high frequency than at low frequency.

As an alternative to truncation, weighted coefficients may be nonlinearly requantized so that the quantizing step size increases with the magnitude of the coefficient. This technique allows higher compression factors but worse levels of artifacts.

Clearly, the degree of compression obtained and, in turn, the output bit rate obtained, is a function of the severity of the requantizing process. Different bit rates will require different weighting tables. In MPEG, it is possible to use various different weighting tables and the table in use can be transmitted to the decoder, so that correct decoding automatically occurs.



► Figure 2-5.

## 2.4 Scanning

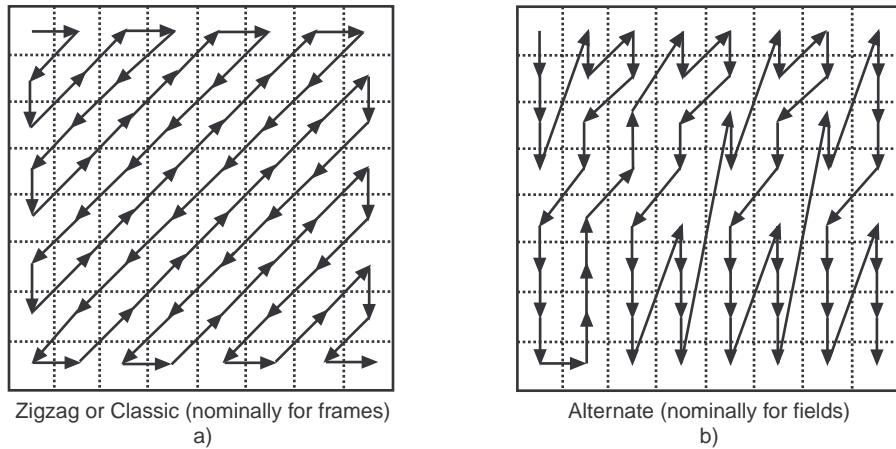
In typical program material, the significant DCT coefficients are generally found in the top-left corner of the matrix. After weighting, low-value coefficients might be truncated to zero. More efficient transmission can be obtained if all of the non-zero coefficients are sent first, followed by a code indicating that the remainder are all zero. Scanning is a technique which increases the probability of achieving this result, because it sends coefficients in descending order of magnitude probability. Figure 2-6a shows that in a noninterlaced system, the probability of a coefficient having a high value is highest in the top-left corner and lowest in the bottom-right corner. A 45 degree diagonal zig-zag scan is the best sequence to use here.

In Figure 2-6b, the scan for an interlaced source is shown. In an interlaced picture, an 8 x 8 DCT block from one field extends over twice the vertical screen area, so that for a given picture detail, vertical frequencies will appear to be twice as great as horizontal frequencies. Thus, the ideal scan for an interlaced picture will be on a diagonal that is twice as steep. Figure 2-6b shows that a given vertical spatial frequency is scanned before scanning the same horizontal spatial frequency.

## 2.5 Entropy Coding

In real video, not all spatial frequencies are simultaneously present; therefore, the DCT coefficient matrix will have zero terms in it. Despite the use of scanning, zero coefficients will still appear between the significant values. Run-length coding (RLC) allows these coefficients to be handled more efficiently.





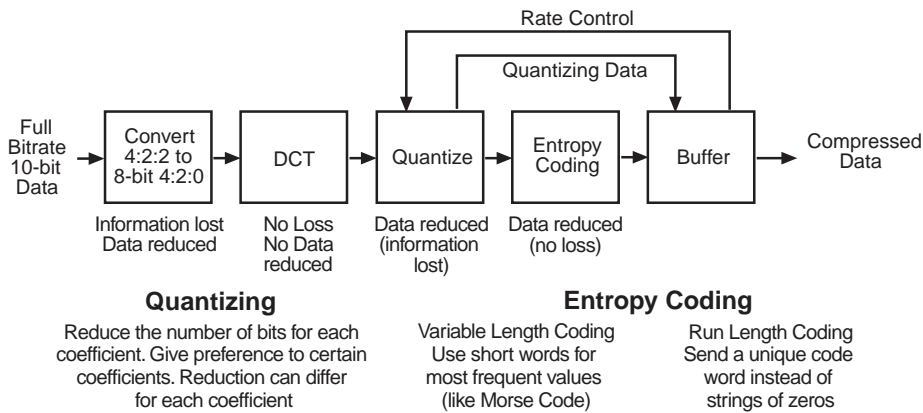
► Figure 2-6.

Where repeating values, such as a string of 0s, are present, run-length coding simply transmits the number of zeros rather than each individual bit.

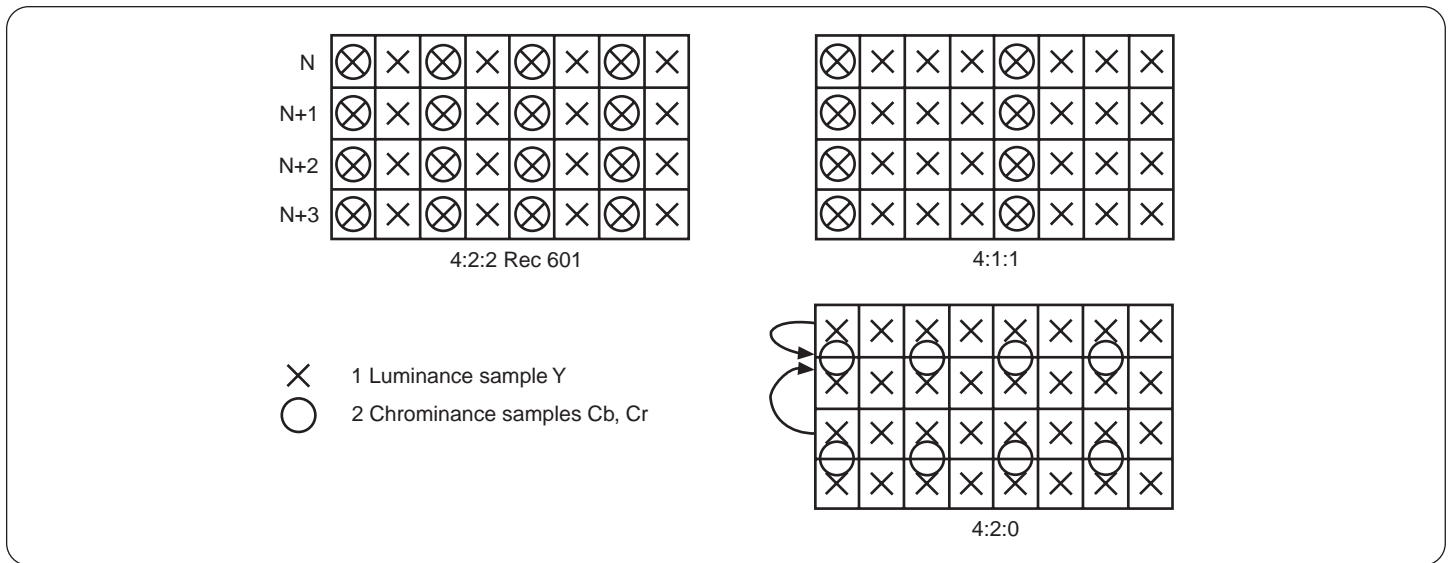
The probability of occurrence of particular coefficient values in real video can be studied. In practice, some values occur very often; others occur less often. This statistical information can be used to achieve further compression using variable length coding (VLC). Frequently occurring values are converted to short code words, and infrequent values are converted to long code words. To aid deserialization, no code word can be the prefix of another.

## 2.6 A Spatial Coder

Figure 2-7 ties together all of the preceding spatial coding concepts. The input signal is assumed to be 4:2:2 SDI (Serial Digital Interface), which may have 8- or 10-bit wordlength. MPEG uses only 8-bit resolution; therefore, a rounding stage will be needed when the SDI signal contains 10-bit words. Most MPEG profiles operate with 4:2:0 sampling; therefore, a vertical low-pass filter/interpolation stage will be needed. Rounding and color subsampling introduces a small irreversible loss of information and a proportional reduction in bit rate. The raster scanned input format will need to be stored so that it can be converted to 8 x 8 pixel blocks.



► Figure 2-7.



► **Figure 2-8.**

The DCT stage transforms the picture information to the frequency domain. The DCT itself does not achieve any compression. Following DCT, the coefficients are weighted and truncated, providing the first significant compression. The coefficients are then zig-zag scanned to increase the probability that the significant coefficients occur early in the scan. After the last non-zero coefficient, an EOB (end of block) code is generated.

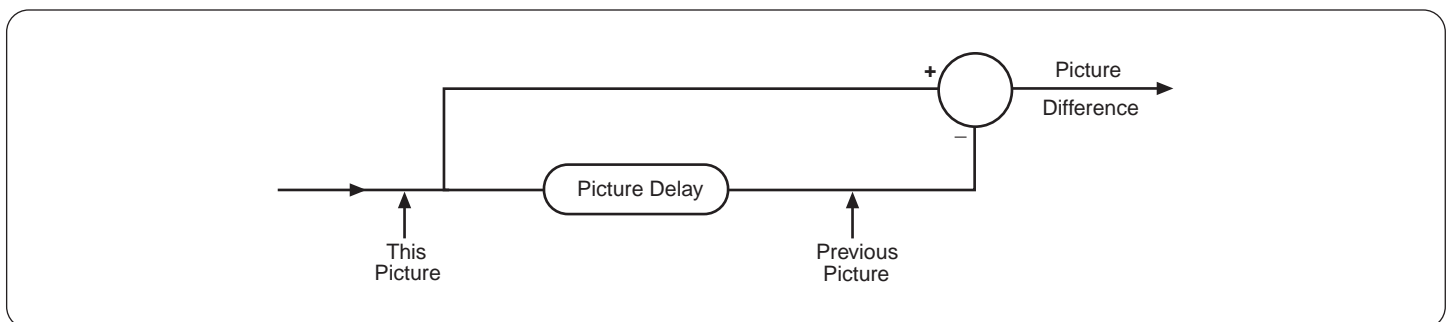
Coefficient data are further compressed by run-length and variable-length coding. In a variable bit-rate system, the quantizing is fixed, but in a fixed bit-rate system, a buffer memory is used to absorb variations in coding difficulty. Highly detailed pictures will tend to fill the buffer, whereas plain pictures will allow it to empty. If the buffer is in danger of overflowing, the requantizing steps will have to be made larger, so that the compression factor is effectively raised.

In the decoder, the bit stream is deserialized and the entropy coding is reversed to reproduce the weighted coefficients. The inverse weighting is applied and coefficients are placed in the matrix according to the zig-zag scan to recreate the DCT matrix. Following an inverse transform, the 8 x 8 pixel block is recreated. To obtain a raster-scanned output, the blocks are stored in RAM, which is read a line at a time. To obtain a 4:2:2 output from 4:2:0 data, a vertical interpolation process will be needed as shown in Figure 2-8.

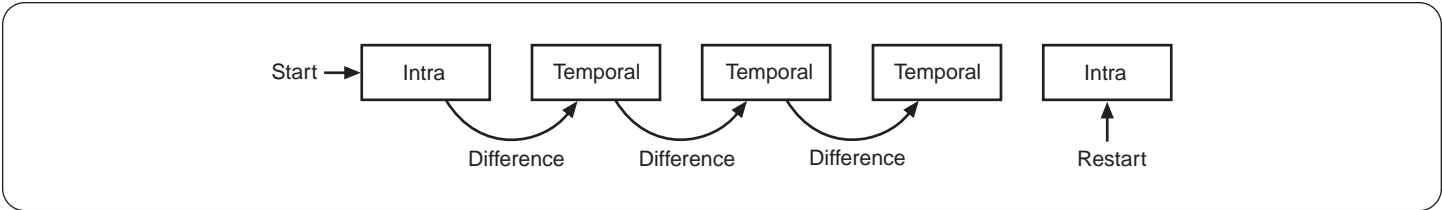
The chroma samples in 4:2:0 are positioned half way between luminance samples in the vertical axis so that they are evenly spaced when an interlaced source is used.

### 2.7 Temporal Coding

Temporal redundancy can be exploited by inter-coding or transmitting only the differences between pictures. Figure 2-9 shows that a one-picture delay com-



► **Figure 2-9.**



► Figure 2-10.

bined with a subtractor can compute the picture differences. The picture difference is an image in its own right and can be further compressed by the spatial coder as was previously described. The decoder reverses the spatial coding and adds the difference picture to the previous picture to obtain the next picture.

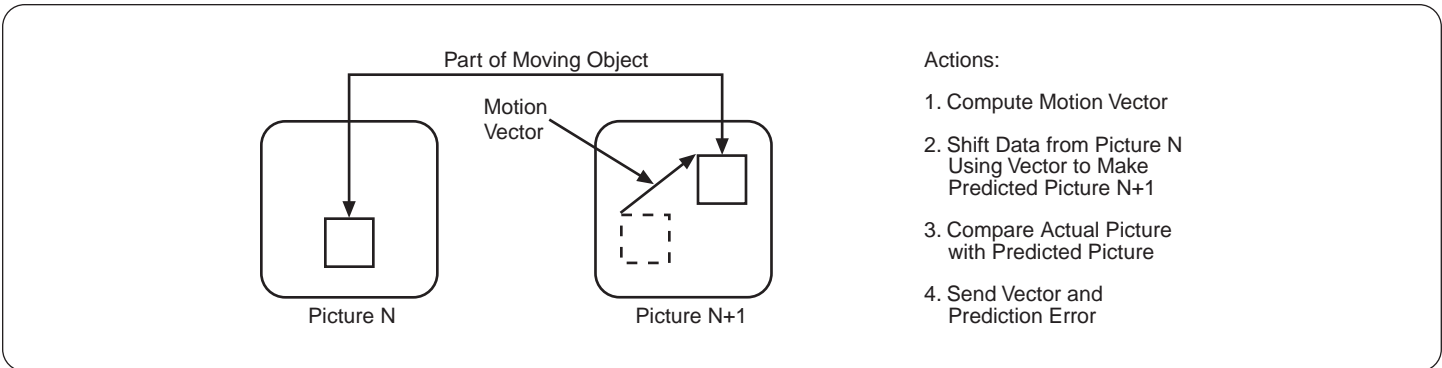
There are some disadvantages to this simple system. First, as only differences are sent, it is impossible to begin decoding after the start of the transmission. This limitation makes it difficult for a decoder to provide pictures following a switch from one bit stream to another (as occurs when the viewer changes channels). Second, if any part of the difference data is incorrect, the error in the picture will propagate indefinitely.

The solution to these problems is to use a system that is not completely differential. Figure 2-10 shows that periodically complete pictures are sent. These

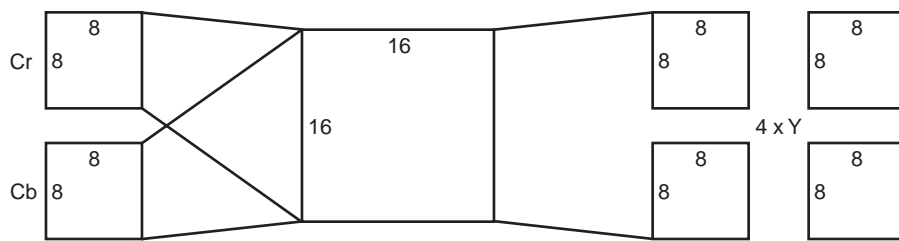
are called Intra-coded pictures (or I-pictures), and they are obtained by spatial compression only. If an error or a channel switch occurs, it will be possible to resume correct decoding at the next I-picture.

### 2.8 Motion Compensation

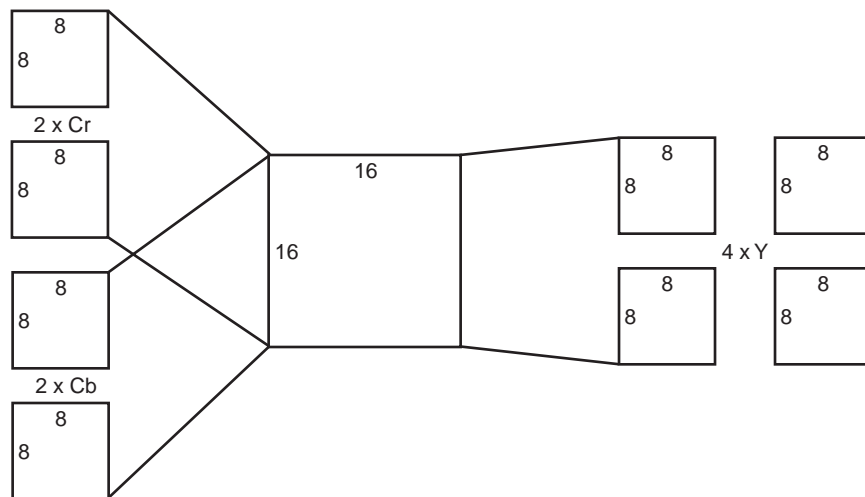
Motion reduces the similarities between pictures and increases the data needed to create the difference picture. Motion compensation is used to increase the similarity. Figure 2-11 shows the principle. When an object moves across the TV screen, it may appear in a different place in each picture, but it does not change in appearance very much. The picture difference can be reduced by measuring the motion at the encoder. This is sent to the decoder as a vector. The decoder uses the vector to shift part of the previous picture to a more appropriate place in the new picture.



► Figure 2-11.



a) 4:2:0 has 1/4 as many chroma sampling points as Y



b) 4:2:2 has twice as much chroma data as 4:2:0

► **Figure 2-12.**

One vector controls the shifting of an entire area of the picture that is known as a macroblock. The size of the macroblock is determined by the DCT coding and the color subsampling structure. Figure 2-12a shows that, with a 4:2:0 system, the vertical and horizontal spacing of color samples is exactly twice the spacing of luminance. A single 8 x 8 DCT block of color samples extends over the same area as four 8 x 8 luminance blocks; therefore this is the minimum picture area which can be shifted by a vector. One 4:2:0 macroblock contains four luminance blocks: one Cr block and one Cb block.

In the 4:2:2 profile, color is only subsampled in the horizontal axis. Figure 2-12b shows that in 4:2:2, a single 8 x 8 DCT block of color samples extends over two luminance blocks. A 4:2:2 macroblock contains four luminance blocks: two Cr blocks and two Cb blocks.

The motion estimator works by comparing the luminance data from two successive pictures. A macroblock in the first picture is used as a reference. When the input is interlaced, pixels will be at different vertical locations in the two

fields, and it will, therefore, be necessary to interpolate one field before it can be compared with the other. The correlation between the reference and the next picture is measured at all possible displacements with a resolution of half a pixel over the entire search range. When the greatest correlation is found, this correlation is assumed to represent the correct motion.

The motion vector has a vertical and horizontal component. In typical program material, a moving object may extend over a number of macroblocks. A greater compression factor is obtained if the vectors are transmitted differentially. When a large object moves, adjacent macroblocks have the same vectors and the vector difference becomes zero.

Motion vectors are associated with macroblocks, not with real objects in the image and there will be occasions where part of the macroblock moves and part of it does not. In this case, it is impossible to compensate properly. If the motion of the moving part is compensated by transmitting a vector, the stationary part will be incorrectly shifted, and it will need difference data to be cor-

rected. If no vector is sent, the stationary part will be correct, but difference data will be needed to correct the moving part. A practical compressor might attempt both strategies and select the one which required the least difference data.

**2.9 Bidirectional Coding**

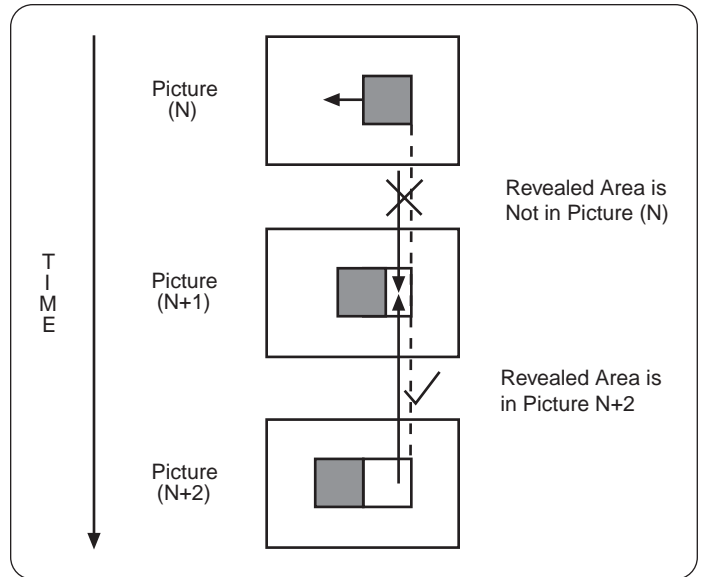
When an object moves, it conceals the background at its leading edge and reveals the background at its trailing edge. The revealed background requires new data to be transmitted because the area of background was previously concealed and no information can be obtained from a previous picture. A similar problem occurs if the camera pans: new areas come into view and nothing is known about them. MPEG helps to minimize this problem by using bidirectional coding, which allows information to be taken from pictures before and after the current picture. If a background is being revealed, it will be present in a later picture, and the information can be moved backwards in time to create part of an earlier picture.

Figure 2-13 shows the concept of bidirectional coding. On an individual macro-block basis, a bidirectionally coded picture can obtain motion-compensated data from an earlier or later picture, or even use an average of earlier and later data. Bidirectional coding significantly reduces the amount of difference data needed by improving the degree of prediction possible. MPEG does not specify how an encoder should be built, only what constitutes a compliant bit stream. However, an intelligent compressor could try all three coding strategies and select the one that results in the least data to be transmitted.

**2.10 I, P, and B Pictures**

In MPEG, three different types of pictures are needed to support differential and bidirectional coding while minimizing error propagation:

I pictures are Intra-coded pictures that need no additional information for decoding. They require a lot of data compared to other picture types, and therefore they are not transmitted any more frequently than necessary. They

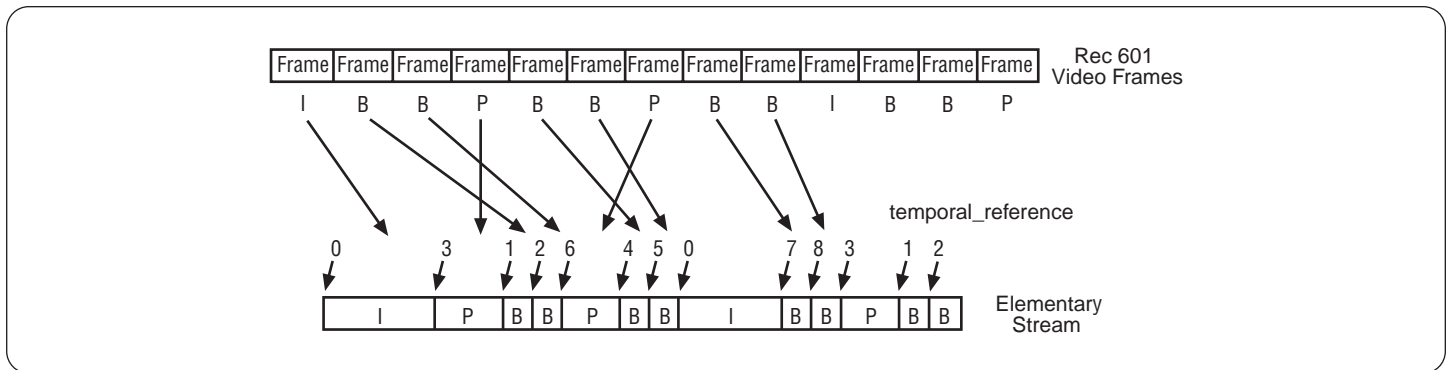


► **Figure 2-13.**

consist primarily of transform coefficients and have no vectors. I pictures allow the viewer to switch channels, and they arrest error propagation.

P pictures are forward Predicted from an earlier picture, which could be an I picture or a P picture. P-picture data consists of vectors describing where, in the previous picture, each macro-block should be taken from, and transform coefficients that describe the correction or difference data that must be added to that macroblock. P pictures require roughly half the data of an I picture.

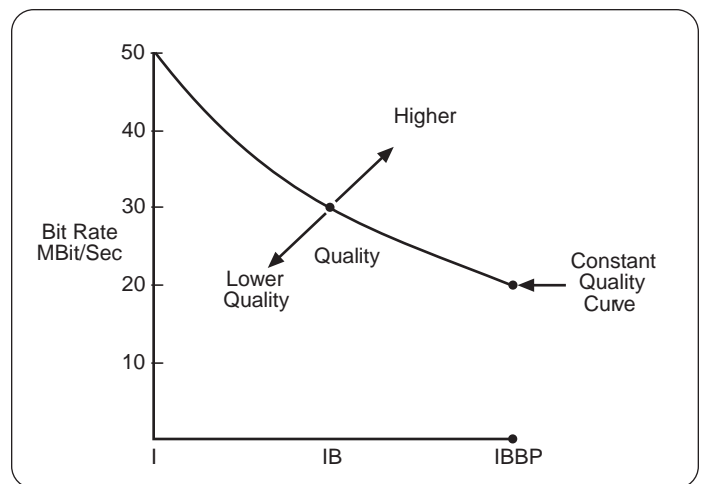
B pictures are Bidirectionally predicted from earlier or later I or P pictures. B-picture data consists of vectors describing where in earlier or later pictures data should be taken from. It also contains the transform coefficients that provide the correction. Because bidirectional prediction is so effective, the correction data are minimal and this helps the B picture to typically require one quarter the data of an I picture.



► **Figure 2-14.**

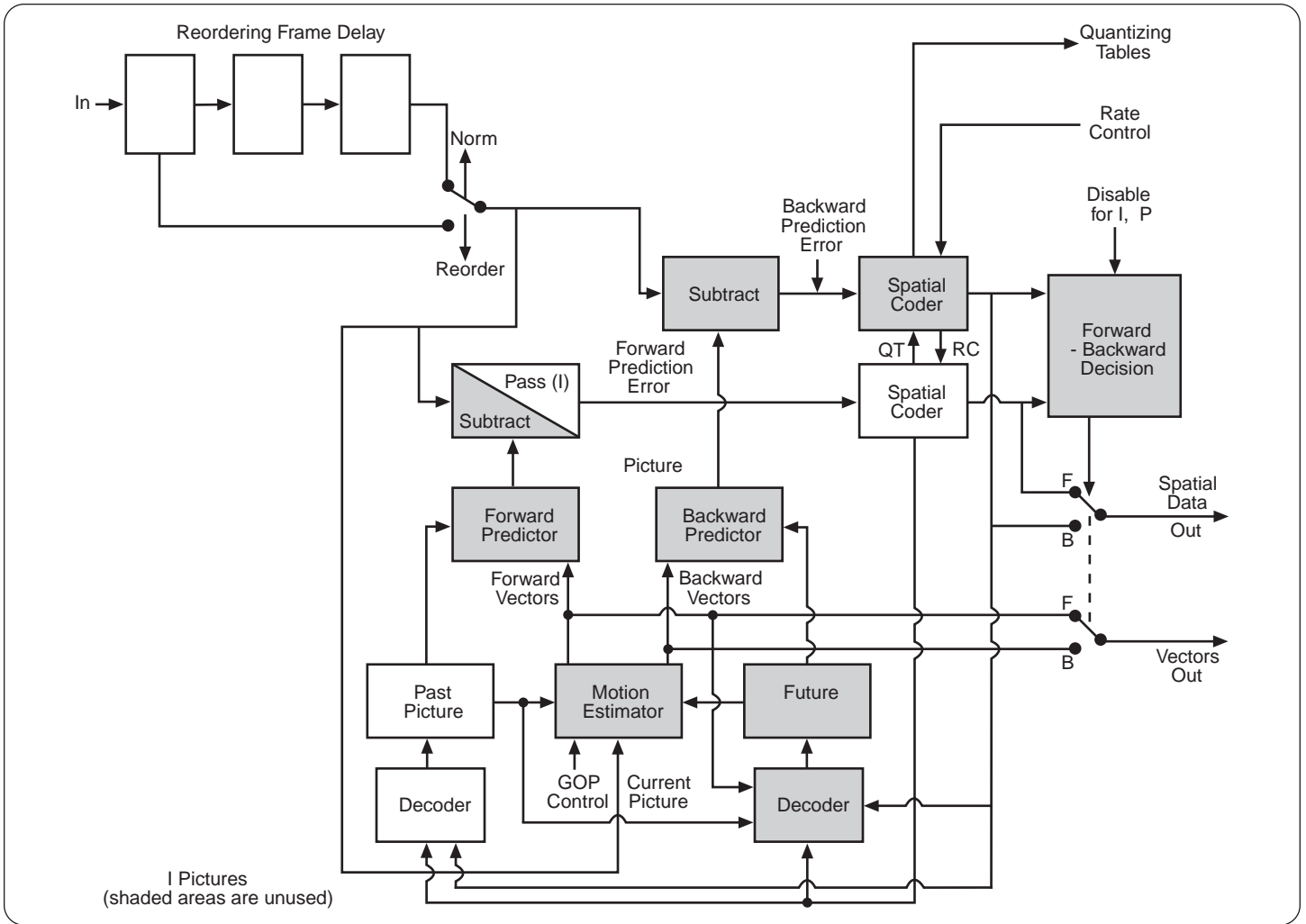
Figure 2-14 introduces the concept of the GOP or Group Of Pictures. The GOP begins with an I picture and then has P pictures spaced throughout. The remaining pictures are B pictures. The GOP is defined as ending at the last picture before the next I picture. The GOP length is flexible, but 12 or 15 pictures is a common value. Clearly, if data for B pictures are to be taken from a future picture, that data must already be available at the decoder. Consequently, bidirectional coding requires that picture data is sent out of sequence and temporarily stored. Figure 2-14 also shows that the P-picture data are sent before the B-picture data. Note that the last B pictures in the GOP cannot be transmitted until after the I picture of the next GOP since this data will be needed to bidirectionally decode them. In order to return pictures to their correct sequence, a temporal reference is included with each picture. As the picture rate is also embedded periodically in headers in the bit stream, an MPEG file may be displayed by a personal computer, for example, in the correct order and timescale.

Sending picture data out of sequence requires additional memory at the encoder and decoder and also causes delay. The number of bidirectionally coded pictures between intra- or forward-predicted pictures must be restricted to reduce cost and minimize delay, if delay is an issue.



► **Figure 2-15.**

Figure 2-15 shows the tradeoff that must be made between compression factor and coding delay. For a given quality, sending only I pictures requires more than twice the bit rate of an IBBP sequence. Where the ability to edit is important, an IB sequence is a useful compromise.

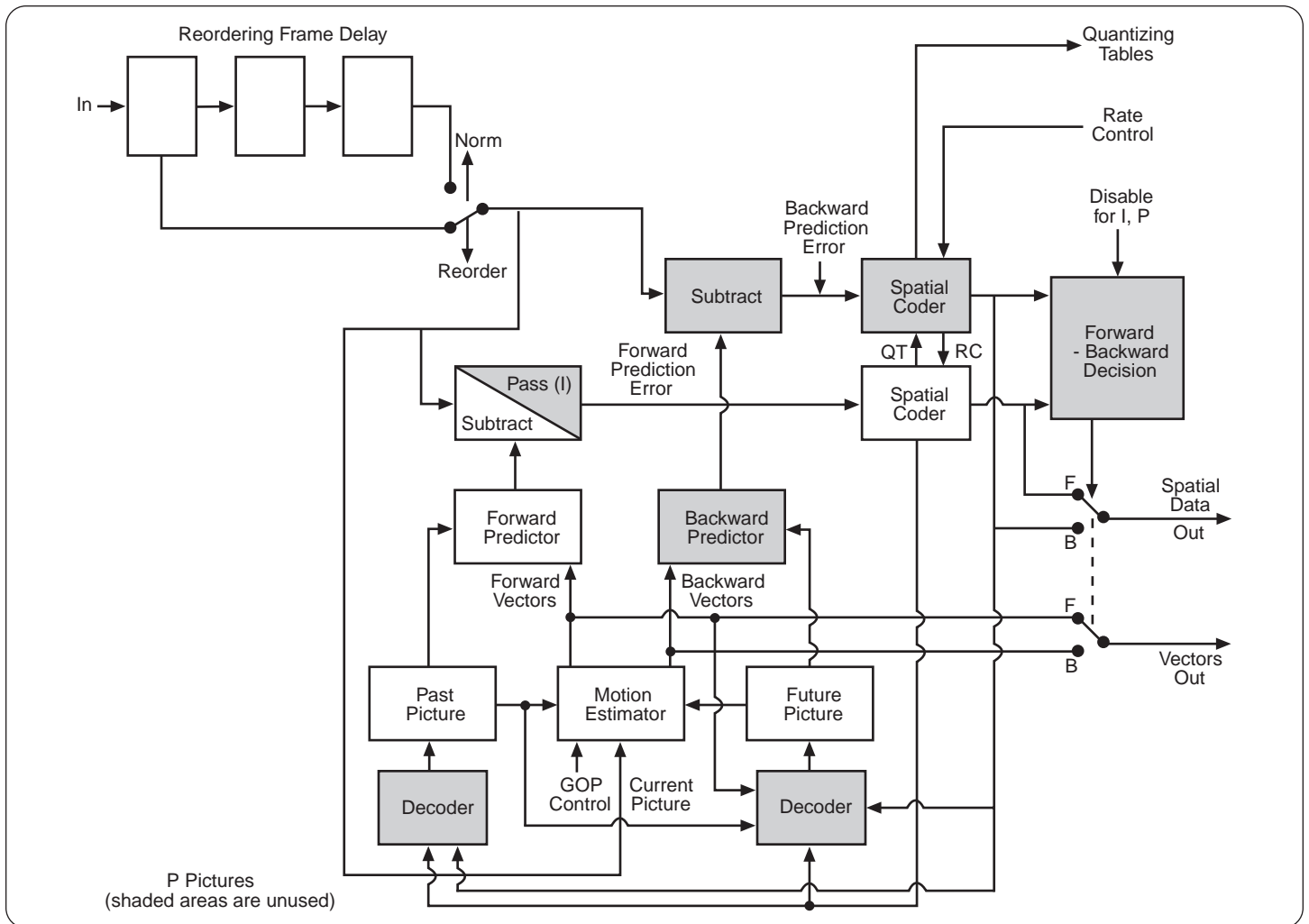


► Figure 2-16a.

## 2.11 An MPEG Compressor

Figures 2-16a, b, and c show a typical bidirectional motion compensator structure. Pre-processed input video enters a series of frame stores that can be bypassed to change the picture order. The data then enter the subtractor and

the motion estimator. To create an I picture, the end of the input delay is selected and the subtractor is turned off so that the data pass straight through to be spatially coded (see Figure 2-16a). Subtractor output data also pass to a frame store that can hold several pictures. The I picture is held in the store.

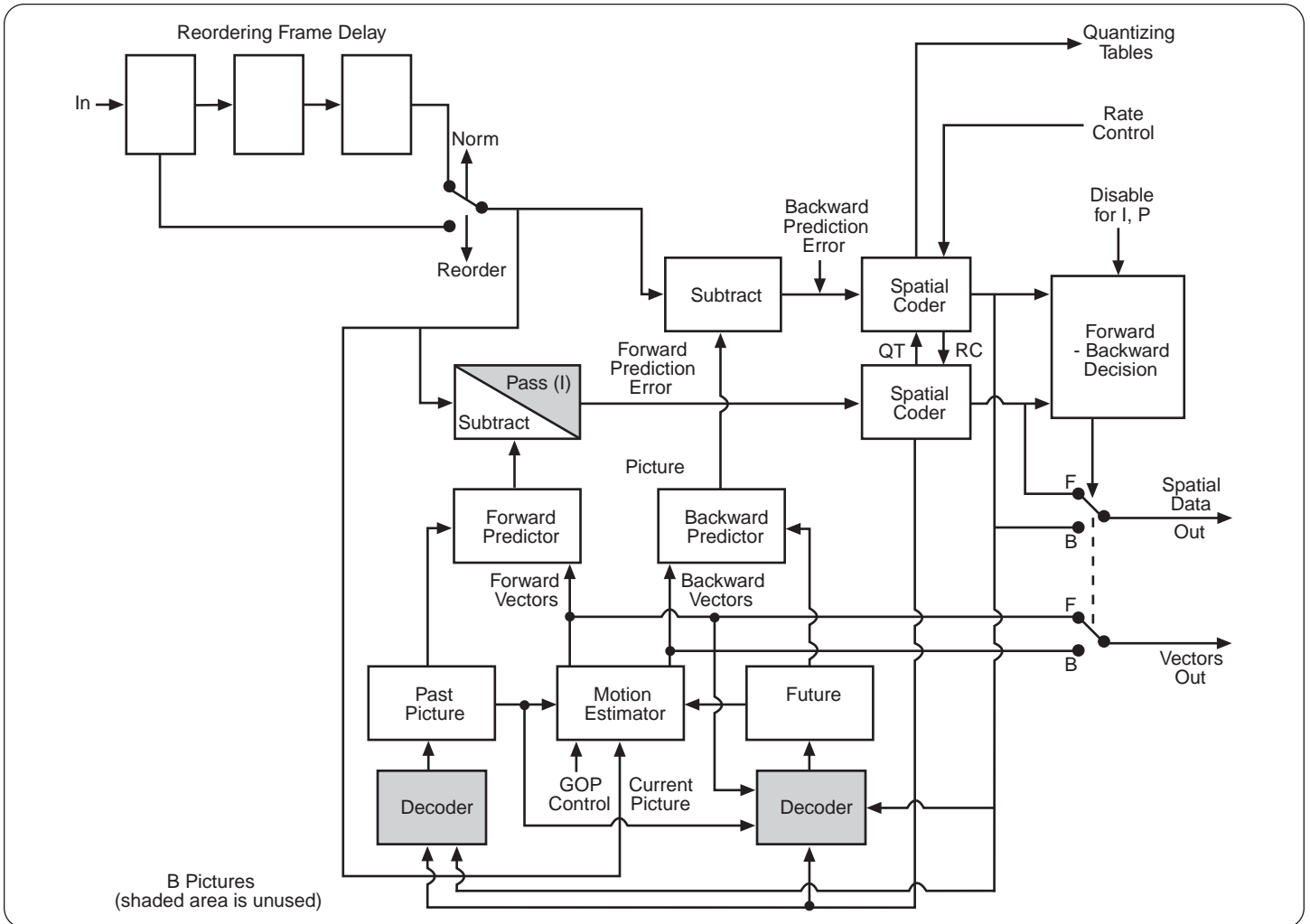


► **Figure 2-16b.**

To encode a P picture, the B pictures in the input buffer are bypassed, so that the future picture is selected (see Figure 2-16b). The motion estimator compares the I picture in the output store with the P picture in the input store to create forward motion vectors. The I picture is shifted by these vectors to make

a predicted P picture. The predicted P picture is subtracted from the actual P picture to produce the prediction error, which is spatially coded and sent along with the vectors. The prediction error is also added to the predicted P picture to create a locally decoded P picture that also enters the output store.



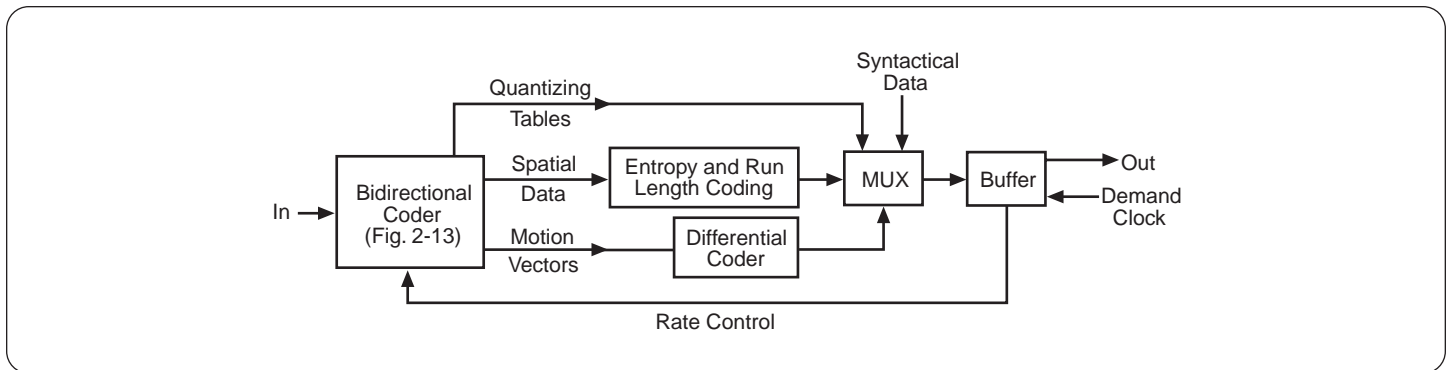


► Figure 2-16c.

The output store then contains an I picture and a P picture. A B picture from the input buffer can now be selected. The motion compensator will compare the B picture with the I picture that precedes it and the P picture that follows it to obtain bidirectional vectors (see Figure 2-16c). Forward and backward motion compensation is performed to produce two predicted B pictures. These are subtracted from the current B picture. On a macroblock-by-macroblock

basis, the forward or backward data are selected according to which represent the smallest differences. The picture differences are then spatially coded and sent with the vectors.

When all of the intermediate B pictures are coded, the input memory will once more be bypassed to create a new P picture based on the previous P picture.



► **Figure 2-17.**

Figure 2-17 shows an MPEG coder. The motion compensator output is spatially coded and the vectors are added in a multiplexer. Syntactical data is also added which identifies the type of picture (I, P, or B) and provides other information to help a decoder (see **Section 4 – Elementary Streams**). The output data are buffered to allow temporary variations in bit rate. If the bit rate shows a long term increase, the buffer will tend to fill up; to prevent overflow, the quantization process will have to be made more severe. Equally, should the buffer show signs of underflow, the quantization will be relaxed to maintain the average bit rate. This means that the store contains exactly what the store in the decoder will contain, so that the results of all previous coding errors are present. These will automatically be reduced when the predicted picture is subtracted from the actual picture because the difference data will be more accurate.

## 2.12 Preprocessing

A compressor attempts to eliminate redundancy within the picture and between pictures. Anything which reduces that redundancy is undesirable. Noise and film grain are particularly problematic because they generally occur over the entire picture. After the DCT process, noise results in more non-zero coefficients, which the coder cannot distinguish from genuine picture data. Heavier quantizing will be required to encode all of the coefficients, reducing picture quality. Noise also reduces similarities between successive pictures, increasing the difference data needed.

Residual subcarrier in video decoded from composite video is a serious problem because it results in high, spatial frequencies that are normally at a low level in component programs. Subcarrier also alternates from picture to picture causing an increase in difference data. Naturally, any composite decoding artifact that is visible in the input to the MPEG coder is likely to be reproduced at the decoder.

Any practice that causes unwanted motion is to be avoided. Unstable camera mountings, in addition to giving a shaky picture, increase picture differences and vector transmission requirements. This will also happen with telecine material if film weave or hop due to sprocket hole damage is present. In general, video that is to be compressed must be of the highest quality possible. If high quality cannot be achieved, then noise reduction and other stabilization techniques will be desirable.

If a high compression factor is required, the level of artifacts can increase, especially if input quality is poor. In this case, it may be better to reduce the entropy entering the coder using prefiltering. The video signal is subject to two-dimensional, low-pass filtering, which reduces the number of coefficients needed and reduces the level of artifacts. The picture will be less sharp, but less sharpness is preferable to a high level of artifacts.

In most MPEG-2 applications, 4:2:0 sampling is used, which requires a chroma downsampling process if the source is 4:2:2. In MPEG-1, the luminance and chroma are further downsampled to produce an input picture or SIF (Source Input Format), that is only 352-pixels wide. This technique reduces the entropy by a further factor. For very high compression, the QSIF (Quarter Source Input Format) picture, which is 176-pixels wide, is used. Downsampling is a process that combines a spatial low-pass filter with an interpolator. Downsampling interlaced signals is problematic because vertical detail is spread over two fields which may de-correlate due to motion.

When the source material is telecine, the video signal has different characteristics than normal video. In 50 Hz video, pairs of fields represent the same film frame, and there is no motion between them. Thus, the motion between fields alternates between zero and the motion between frames. This causes vector data to alternate between zero and twice what it should be, varying the bit rate available for picture data. In 60 Hz video, 3:2 pull-down is used to obtain 60 Hz

HIGH		4:2:0 1920x1152 80 Mb/s I,P,B				4:2:0, 4:2:2 1920x1152 100 Mb/s I,P,B
HIGH-1440		4:2:0 1440x1152 60 Mb/s I,P,B			4:2:0 1440x1152 60 Mb/s I,P,B	4:2:0, 4:2:2 1440x1152 80 Mb/s I,P,B
MAIN	4:2:0 720x576 15 Mb/s I,P	4:2:0 720x576 15 Mb/s I,P,B	4:2:2 720x608 50 Mb/s I,P,B	4:2:0 720x576 15 Mb/s I,P,B		4:2:0, 4:2:2 720x576 20 Mb/s I,P,B
LOW		4:2:0 352x288 4 Mb/s I,P,B		4:2:0 352x288 4 Mb/s I,P,B		
LEVEL PROFILE	SIMPLE	MAIN	4:2:2 PROFILE	SNR	SPATIAL	HIGH

► Figure 2-18.

from 24 Hz film. One frame is made into two fields, the next is made into three fields, and so on.

Consequently, one field in five is completely redundant. MPEG handles film material best by discarding the third field in 3:2 systems. A 24 Hz code in the transmission alerts the decoder to recreate the 3:2 sequence by re-reading a field store. In 50 and 60 Hz telecine, pairs of fields are deinterlaced to create frames, and then motion is measured between frames. The decoder can recreate interlace by reading alternate lines in the frame store.

A cut is a difficult event for a compressor to handle because it results in an almost complete prediction failure, requiring a large amount of correction data. If a coding delay can be tolerated, a coder may detect cuts in advance and modify the GOP structure dynamically, so that the cut is made to coincide with the generation of an I picture. In this case, the cut is handled with very little extra data. The last B pictures before the I frame will almost certainly need to use forward prediction. In some applications that are not real-time, such as DVD mastering, a coder could take two passes at the input video: one pass to identify the difficult or high entropy areas and create a coding strategy, and a second pass to actually compress the input video.

### 2.13 Profiles and Levels

MPEG is applicable to a wide range of applications requiring different performance and complexity. Using all of the encoding tools defined in MPEG, there are millions of combinations possible. For practical purposes, the MPEG-2 standard is divided into profiles, and each profile is subdivided into levels (see Figure

2-18). A profile is basically a subset of the entire coding repertoire requiring a certain complexity. A level is a parameter such as the size of the picture or bit rate used with that profile. In principle, there are 24 combinations, but not all of these have been defined. An MPEG decoder having a given Profile and Level must also be able to decode lower profiles and levels.

The simple profile does not support bidirectional coding, and so only I and P pictures will be output. This reduces the coding and decoding delay and allows simpler hardware. The simple profile has only been defined at Main level (SP@ML).

The Main Profile is designed for a large proportion of uses. The low level uses a low resolution input having only 352 pixels per line. The majority of broadcast applications will require the MP@ML (Main Profile at Main Level) subset of MPEG, which supports SDTV (Standard Definition TV).

The high-1440 level is a high definition scheme that doubles the definition compared to the main level. The high level not only doubles the resolution but maintains that resolution with 16:9 format by increasing the number of horizontal samples from 1440 to 1920.

In compression systems using spatial transforms and requantizing, it is possible to produce scaleable signals. A scaleable process is one in which the input results in a main signal and a “helper” signal. The main signal can be decoded alone to give a picture of a certain quality, but if the information from the helper signal is added, some aspect of the quality can be improved.

For example, a conventional MPEG coder, by heavily requantizing coefficients, encodes a picture with moderate signal-to-noise ratio results. If, however, that picture is locally decoded and subtracted pixel-by-pixel from the original, a quantizing noise picture results. This picture can be compressed and transmitted as the helper signal. A simple decoder only decodes the main, noisy bit stream, but a more complex decoder can decode both bit streams and combine them to produce a low-noise picture. This is the principle of SNR scalability.

As an alternative, coding only the lower spatial frequencies in a HDTV picture can produce a main bit stream that an SDTV receiver can decode. If the lower definition picture is locally decoded and subtracted from the original picture, a definition-enhancing picture would result. This picture can be coded into a helper signal. A suitable decoder could combine the main and helper signals to recreate the HDTV picture. This is the principle of Spatial scalability.

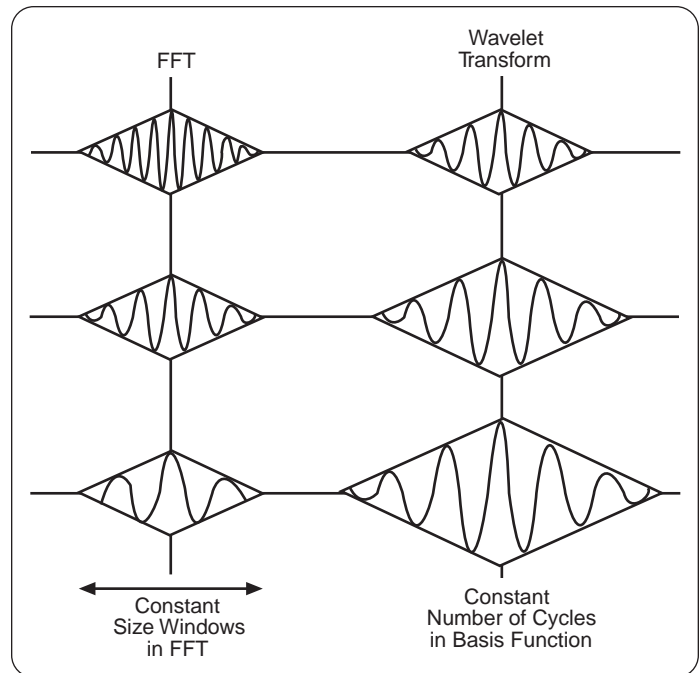
The High profile supports both SNR and spatial scalability as well as allowing the option of 4:2:2 sampling.

The 4:2:2 profile has been developed for improved compatibility with digital production equipment. This profile allows 4:2:2 operation without requiring the additional complexity of using the high profile. For example, an HP@ML decoder must support SNR scalability, which is not a requirement for production. The 4:2:2 profile has the same freedom of GOP structure as other profiles, but in practice it is commonly used with short GOPs making editing easier. 4:2:2 operation requires a higher bit rate than 4:2:0, and the use of short GOPs requires an even higher bit rate for a given quality.

### 2.14 Wavelets

All transforms suffer from uncertainty because the more accurately the frequency domain is known, the less accurately the time domain is known (and vice versa). In most transforms such as DFT and DCT, the block length is fixed, so the time and frequency resolution is fixed. The frequency coefficients represent evenly spaced values on a linear scale. Unfortunately, because human senses are logarithmic, the even scale of the DFT and DCT gives inadequate frequency resolution at one end and excess resolution at the other.

The wavelet transform is not affected by this problem because its frequency resolution is a fixed fraction of an octave and therefore has a logarithmic char-



► **Figure 2-19.**

acteristic. This is done by changing the block length as a function of frequency. As frequency goes down, the block becomes longer. Thus, a characteristic of the wavelet transform is that the basis functions all contain the same number of cycles, and these cycles are simply scaled along the time axis to search for different frequencies. Figure 2-19 contrasts the fixed block size of the DFT/DCT with the variable size of the wavelet.

Wavelets are especially useful for audio coding because they automatically adapt to the conflicting requirements of the accurate location of transients in time and the accurate assessment of pitch in steady tones.

For video coding, wavelets have the advantage of producing resolution scaleable signals with almost no extra effort. In moving video, the advantages of wavelets are offset by the difficulty of assigning motion vectors to a variable size block, but in still-picture or I-picture coding this difficulty is not an issue.

► **Section 3 - Audio Compression**

Lossy audio compression is based entirely on the characteristics of human hearing, which must be considered before any description of compression is possible. Surprisingly, human hearing, particularly in stereo, is actually more critically discriminating than human vision, and consequently audio compression should be undertaken with care. As with video compression, audio compression requires a number of different levels of complexity according to the required compression factor.

**3.1 The Hearing Mechanism**

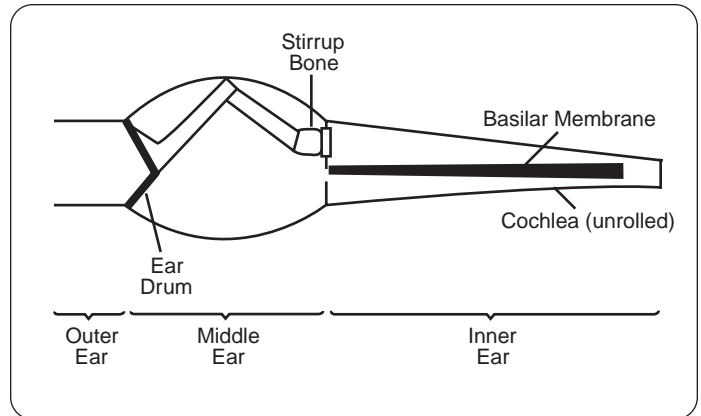
Hearing comprises physical processes in the ear and nervous/mental processes that combine to give us an impression of sound. The impression we receive is not identical to the actual acoustic waveform present in the ear canal because some entropy is lost. Audio compression systems that lose only that part of the entropy that will be lost in the hearing mechanism will produce good results.

The physical hearing mechanism consists of the outer, middle, and inner ears. The outer ear comprises the ear canal and the eardrum. The eardrum converts the incident sound into a vibration in much the same way as does a microphone diaphragm. The inner ear works by sensing vibrations transmitted through a fluid. The impedance of fluid is much higher than that of air and the middle ear acts as an impedance-matching transformer that improves power transfer.

Figure 3-1 shows that vibrations are transferred to the inner ear by the stirrup bone, which acts on the oval window. Vibrations in the fluid in the ear travel up the cochlea, a spiral cavity in the skull (shown unrolled in Figure 3-1 for clarity). The basilar membrane is stretched across the cochlea. This membrane varies in mass and stiffness along its length. At the end near the oval window, the membrane is stiff and light, so its resonant frequency is high. At the distant end, the membrane is heavy and soft and resonates at low frequency. The range of resonant frequencies available determines the frequency range of human hearing, which in most people is from 20 Hz to about 15 kHz.

Different frequencies in the input sound cause different areas of the membrane to vibrate. Each area has different nerve endings to allow pitch discrimination. The basilar membrane also has tiny muscles controlled by the nerves that together act as a kind of positive-feedback system that improves the Q factor of the resonance.

The resonant behavior of the basilar membrane is an exact parallel with the behavior of a transform analyzer. According to the uncertainty theory of trans-



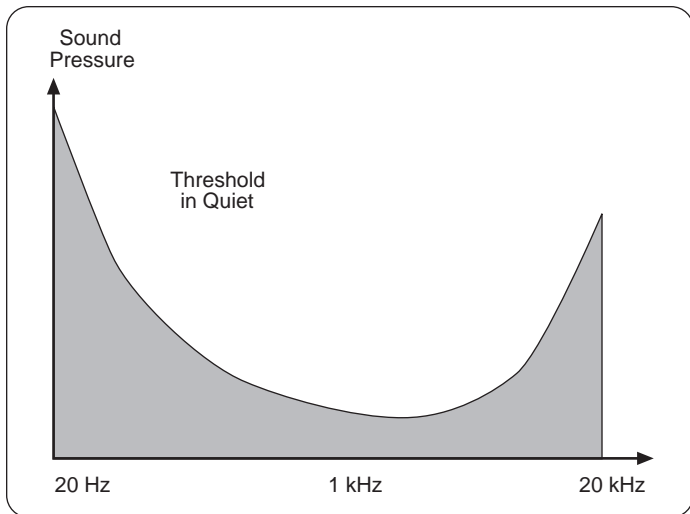
► **Figure 3-1.**

forms, the more accurately the frequency domain of a signal is known, the less accurately the time domain is known. Consequently, the more able a transform is able to discriminate between two frequencies, the less able it is to discriminate between the time of two events. Human hearing has evolved with a certain compromise that balances time-uncertainty discrimination and frequency discrimination; in the balance, neither ability is perfect.

The imperfect frequency discrimination results in the inability to separate closely-spaced frequencies. This inability is known as auditory masking, defined as the reduced sensitivity to sound in the presence of another.

Figure 3-2a shows that the threshold of hearing is a function of frequency. The greatest sensitivity is, not surprisingly, in the speech range. In the presence of a single tone, the threshold is modified as in Figure 3-2b. Note that the threshold is raised for tones at higher frequency and to some extent at lower frequency. In the presence of a complex input spectrum, such as music, the threshold is raised at nearly all frequencies. One consequence of this behavior is that the hiss from an analog audio cassette is only audible during quiet passages in music. Companding makes use of this principle by amplifying low-level audio signals prior to recording or transmission and returning them to their correct level afterwards.

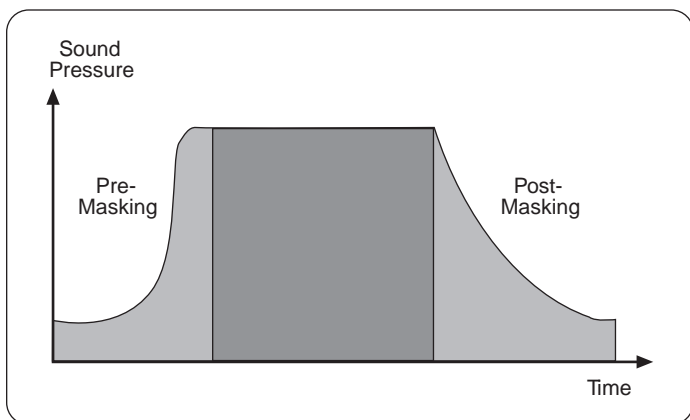
The imperfect time discrimination of the ear is due to its resonant response. The Q factor is such that a given sound has to be present for at least about 1 millisecond before it becomes audible. Because of this slow response, masking can still take place even when the two signals involved are not simultaneous.



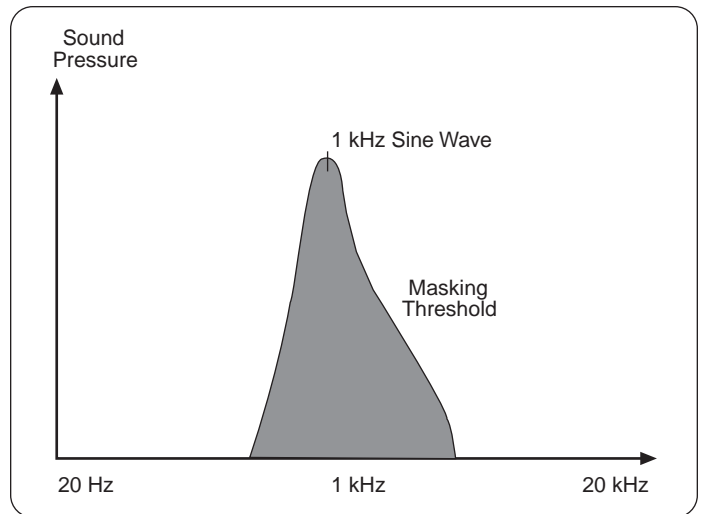
► **Figure 3-2a.**

Forward and backward masking occur when the masking sound continues to mask sounds at lower levels before and after the masking sound's actual duration. Figure 3-3 shows this concept.

Masking raises the threshold of hearing, and compressors take advantage of this effect by raising the noise floor, which allows the audio waveform to be expressed with fewer bits. The noise floor can only be raised at frequencies at which there is effective masking. To maximize effective masking, it is necessary to split the audio spectrum into different frequency bands to allow introduction of different amounts of companding and noise in each band.



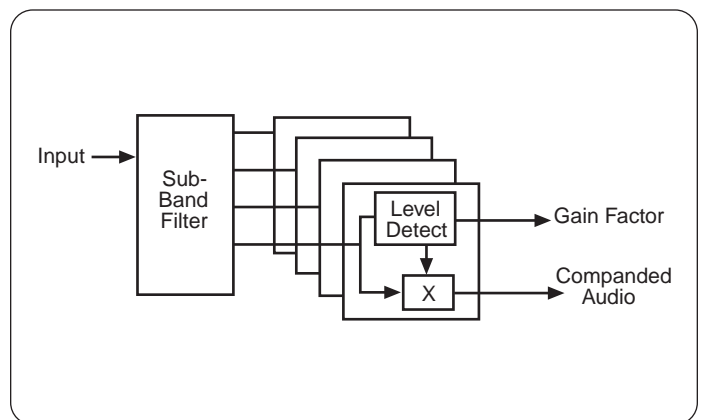
► **Figure 3-3.**



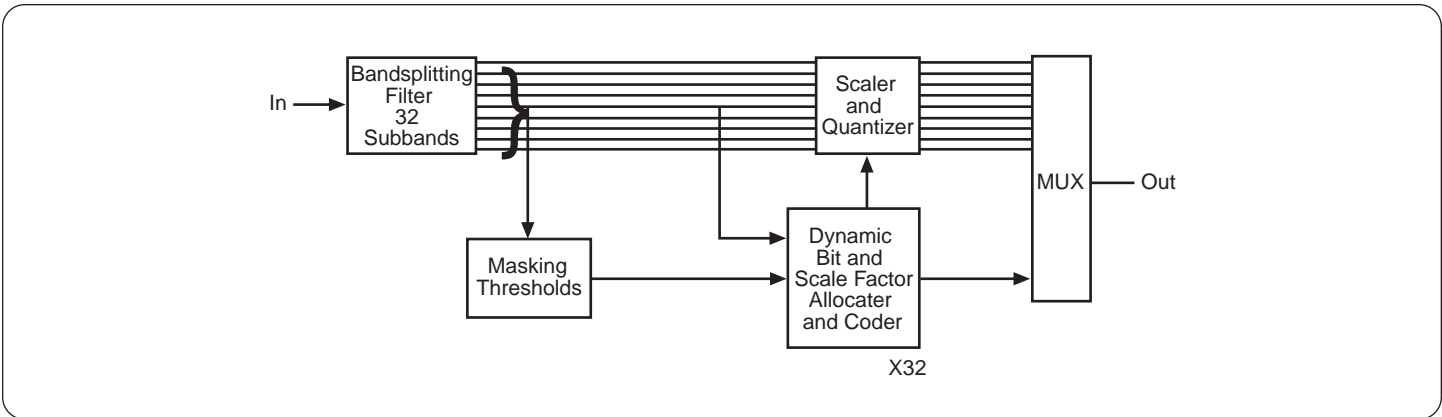
► **Figure 3-2b.**

### 3.2 Subband Coding

Figure 3-4 shows a band-splitting compandor. The band-splitting filter is a set of narrow-band, linear-phase filters that overlap and all have the same bandwidth. The output in each band consists of samples representing a waveform. In each frequency band, the audio input is amplified up to maximum level prior to transmission. Afterwards, each level is returned to its correct value. Noise picked up in the transmission is reduced in each band. If the noise reduction is compared with the threshold of hearing, it can be seen that greater noise can be tolerated in some bands because of masking. Consequently, in each band after companding, it is possible to reduce the wordlength of samples. This technique achieves a compression because the noise introduced by the loss of resolution is masked.



► **Figure 3-4.**



► Figure 3-5.

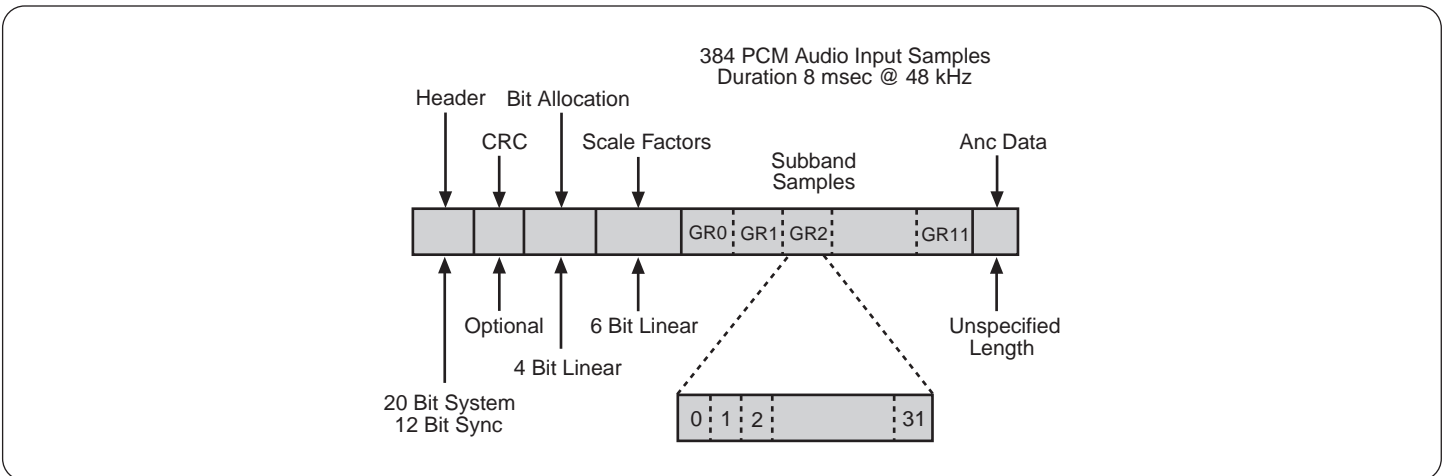
Figure 3-5 shows a simple band-splitting coder as is used in MPEG Layer 1. The digital audio input is fed to a band-splitting filter that divides the spectrum of the signal into a number of bands. In MPEG, this number is 32. The time axis is divided into blocks of equal length. In MPEG layer 1, this is 384 input samples, so there are 12 samples in each of 32 bands in the output of the filter. Within each band, the level is amplified by multiplication to bring the level up to maximum. The gain required is constant for the duration of a block, and a single scale factor is transmitted with each block for each band in order to allow the process to be reversed at the decoder.

The filter bank output is also analyzed to determine the spectrum of the input signal. This analysis drives a masking model that determines the degree of masking that can be expected in each band. The more masking available, the less accurate the samples in each band can be. The sample accuracy is

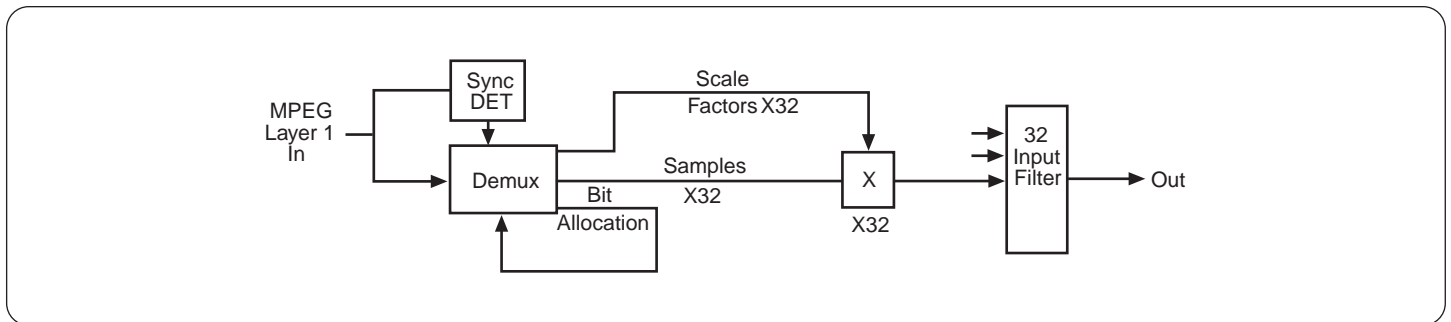
reduced by requantizing to reduce wordlength. This reduction is also constant for every word in a band, but different bands can use different wordlengths. The wordlength needs to be transmitted as a bit allocation code for each band to allow the decoder to deserialize the bit stream properly.

### 3.3 MPEG Layer 1

Figure 3-6 shows an MPEG Level 1 audio bit stream. Following the synchronizing pattern and the header, there are 32-bit allocation codes of four bits each. These codes describe the wordlength of samples in each subband. Next come the 32 scale factors used in the companding of each band. These scale factors determine the gain needed in the decoder to return the audio to the correct level. The scale factors are followed, in turn, by the audio data in each band.



► Figure 3-6.



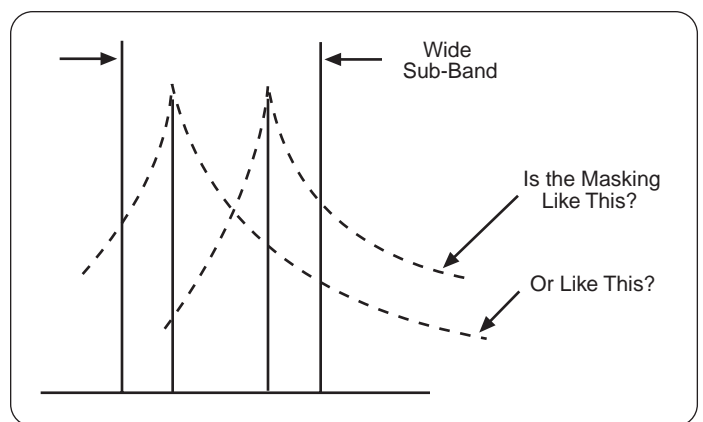
► **Figure 3-7.**

Figure 3-7 shows the Layer 1 decoder. The synchronization pattern is detected by the timing generator, which deserializes the bit allocation and scale factor data. The bit allocation data then allows deserialization of the variable length samples. The requantizing is reversed and the compression is reversed by the scale factor data to put each band back to the correct level. These 32 separate bands are then combined in a combiner filter which produces the audio output.

### 3.4 MPEG Layer 2

Figure 3-8 shows that when the band-splitting filter is used to drive the masking model, the spectral analysis is not very accurate, since there are only 32 bands and the energy could be anywhere in the band. The noise floor cannot be raised very much because, in the worst case shown, the masking may not operate. A more accurate spectral analysis would allow a higher compression factor. In MPEG layer 2, the spectral analysis is performed by a separate process. A 512-point FFT working directly from the input is used to drive the masking model instead. To resolve frequencies more accurately, the time span of the transform has to be increased, which is done by raising the block size to 1152 samples.

While the block-companding scheme is the same as in Layer 1, not all of the scale factors are transmitted, since they contain a degree of redundancy on real program material. The scale factor of successive blocks in the same band differs by 2 dB less than 10% of the time, and advantage is taken of this characteristic by analyzing sets of three successive scale factors. On stationary programs, only one scale factor out of three is sent. As transient content increases in a given subband, two or three scale factors will be sent. A scale factor select code is also sent to allow the decoder to determine what has been sent in each subband. This technique effectively halves the scale factor bit rate.



► **Figure 3-8.**

### 3.5 Transform Coding

Layers 1 and 2 are based on band-splitting filters in which the signal is still represented as a waveform. However, Layer 3 adopts transform coding similar to that used in video coding. As was mentioned above, the ear performs a kind of frequency transform on the incident sound and because of the Q factor of the basilar membrane, the response cannot increase or reduce rapidly. Consequently, if an audio waveform is transformed into the frequency domain, the coefficients do not need to be sent very often. This principle is the basis of transform coding. For higher compression factors, the coefficients can be requantized, making them less accurate. This process produces noise which will be placed at frequencies where the masking is the greatest. A by-product of a transform coder is that the input spectrum is accurately known, so a precise masking model can be created.



### 3.6 MPEG Layer 3

This complex level of coding is really only required when the highest compression factor is needed. It has a degree of commonality with Layer 2. A discrete cosine transform is used having 384 output coefficients per block. This output can be obtained by direct processing of the input samples, but in a multi-level coder, it is possible to use a hybrid transform incorporating the 32-band filtering of Layers 1 and 2 as a basis. If this is done, the 32 subbands from the QMF (Quadrature Mirror Filter) are each further processed by a 12-band MDCT (Modified Discrete Cosine Transform) to obtain 384 output coefficients.

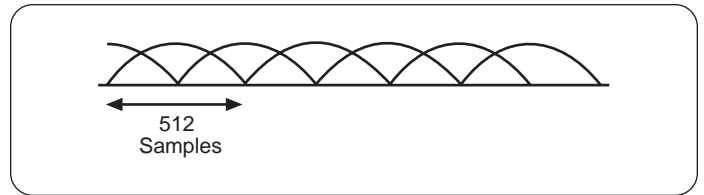
Two window sizes are used to avoid pre-echo on transients. The window switching is performed by the psycho-acoustic model. It has been found that pre-echo is associated with the entropy in the audio rising above the average value. To obtain the highest compression factor, nonuniform quantizing of the coefficients is used along with Huffman coding. This technique allocates the shortest wordlengths to the most common code values.

### 3.7 AC-3

The AC-3 audio coding technique is used with the ATSC system instead of one of the MPEG audio coding schemes. AC-3 is a transform-based system that obtains coding gain by requantizing frequency coefficients.

The PCM input to an AC-3 coder is divided into overlapping windowed blocks as shown in Figure 3-9. These blocks contain 512 samples each, but because of the complete overlap, there is 100% redundancy. After the transform, there are 512 coefficients in each block, but because of the redundancy, these coefficients can be decimated to 256 coefficients using a technique called Time Domain Aliasing Cancellation (TDAC).

The input waveform is analyzed, and if there is a significant transient in the second half of the block, the waveform will be split into two to prevent pre-echo. In this case, the number of coefficients remains the same, but the fre-



► **Figure 3-9.**

quency resolution will be halved and the temporal resolution will be doubled. A flag is set in the bit stream to indicate to the decoder that this has been done.

The coefficients are output in floating-point notation as a mantissa and an exponent. The representation is the binary equivalent of scientific notation. Exponents are effectively scale factors. The set of exponents in a block produce a spectral analysis of the input to a finite accuracy on a logarithmic scale called the spectral envelope. This spectral analysis is the input to the masking model that determines the degree to which noise can be raised at each frequency.

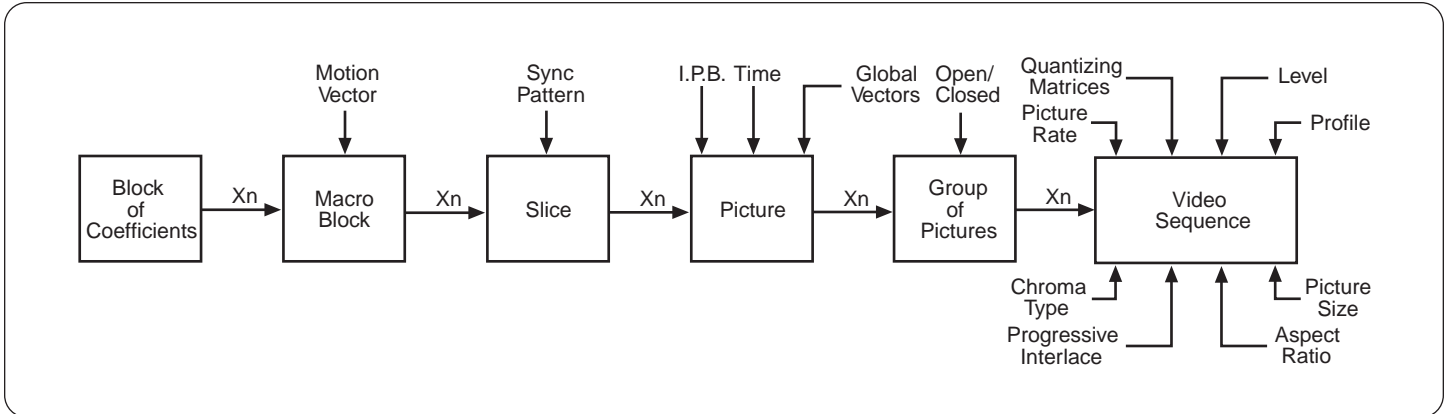
The masking model drives the requantizing process, which reduces the accuracy of each coefficient by rounding the mantissae. A significant proportion of the transmitted data consist of these mantissae.

The exponents are also transmitted, but not directly as there is further redundancy within them that can be exploited. Within a block, only the first (lowest frequency) exponent is transmitted in absolute form. The remainder are transmitted differentially and the decoder adds the difference to the previous exponent. Where the input audio has a smooth spectrum, the exponents in several frequency bands may be the same. Exponents can be grouped into sets of two or four with flags that describe what has been done.

Sets of six blocks are assembled into an AC-3 sync frame. The first block of the frame always has full exponent data, but in cases of stationary signals, later blocks in the frame can use the same exponents.



► Section 4 - Elementary Streams



► Figure 4-1.

An elementary stream is basically the raw output of an encoder and contains no more than is necessary for a decoder to approximate the original picture or audio. The syntax of the compressed signal is rigidly defined in MPEG so that decoders can be guaranteed to operate on it. The encoder is not defined except that it must somehow produce the right syntax.

The advantage of this approach is that it suits the real world in which there are likely to be many more decoders than encoders. By standardizing the decoder, they can be made at low cost. In contrast, the encoder can be more complex and more expensive without a great cost penalty, but with the potential for better picture quality as complexity increases. When the encoder and the decoder are different in complexity, the coding system is said to be asymmetrical.

The MPEG approach also allows for the possibility that quality will improve as coding algorithms are refined while still producing bit streams that can be understood by earlier decoders. The approach also allows the use of proprietary coding algorithms, which need not enter the public domain.

**4.1 Video Elementary Stream Syntax**

Figure 4-1 shows the construction of the elementary video stream. The fundamental unit of picture information is the DCT block, which represents an 8 x 8 array of pixels that can be Y, Cr, or Cb. The DC coefficient is sent first and is represented more accurately than the other coefficients. Following the remaining coefficients, an end of block (EOB) code is sent.

Blocks are assembled into macroblocks, which are the fundamental units of a picture and which can be motion compensated. Each macroblock has a two-dimensional motion vector in the header. In B pictures, the vectors can be

backward as well as forward. The motion compensation can be field or frame based and this is indicated. The scale used for coefficient requantizing is also indicated. Using the vectors, the decoder obtains information from earlier and later pictures to produce a predicted picture. The blocks are inverse transformed to produce a correction picture that is added to the predicted picture to produce the decoded output. In 4:2:0 coding, each macroblock will have four Y blocks and two color-difference blocks. To make it possible to identify which block describes which component, the blocks are sent in a specified order.

Macroblocks are assembled into slices that must always represent horizontal strips of picture from left to right. In MPEG, slices can start anywhere and be of arbitrary size, but in ATSC (Advanced Television Systems Committee) they must start at the left-hand edge of the picture. Several slices can exist across the screen width. The slice is the fundamental unit of synchronization for variable length and differential coding. The first vectors in a slice are sent absolutely, whereas the remaining vectors are transmitted differentially. In I pictures, the first DC coefficients in the slice are sent absolutely and the remaining DC coefficients are transmitted differentially. In difference pictures, this technique is not worthwhile.

In the case of a bit error in the elementary stream, either the deserialization of the variable length symbols will break down or subsequent differentially-coded coefficients or vectors will be incorrect. The slice structure allows recovery by providing a resynchronizing point in the bit stream.

A number of slices are combined to make a picture that is the active part of a field or a frame. The picture header defines whether the picture was I, P, or B coded and includes a temporal reference so that the picture can be presented

at the correct time. In the case of pans and tilts, the vectors in every macro-block will be the same. A global vector can be sent for the whole picture, and the individual vectors then become differences from this global value.

Pictures may be combined to produce a GOP (group of pictures) that must begin with an I picture. The GOP is the fundamental unit of temporal coding. In the MPEG standard, the use of a GOP is optional, but it is a practical necessity. Between I pictures, a variable number of P and/or B pictures may be placed as was described in Section 2. A GOP may be open or closed. In a closed GOP, the last B pictures do not require the I picture in the next GOP for decoding and the bit stream could be cut at the end of the GOP.

If GOPs are used, several GOPs may be combined to produce a video sequence. The sequence begins with a sequence start code, followed by a sequence header and ends with a sequence end code. Additional sequence headers can be placed throughout the sequence. This approach allows decoding to begin part way through the sequence, as might happen in playback of digital video discs and tape cassettes. The sequence header specifies the vertical and horizontal size of the picture, the aspect ratio, the chroma subsampling format, the picture rate, the use of progressive scan or interlace, the profile, level, and bit rate, and the quantizing matrices used in intra and inter-coded pictures.

Without the sequence header data, a decoder cannot understand the bit stream, and therefore sequence headers become entry points at which

decoders can begin correct operation. The spacing of entry points influences the delay in correct decoding that occurs when the viewer switches from one television channel to another.

### 4.2 Audio Elementary Streams

Various types of audio can be embedded in an MPEG-2 multiplex. These types include audio coded according to MPEG layers 1, 2, 3, or AC-3. The type of audio encoding used must be included in a descriptor that a decoder will read in order to invoke the appropriate type of decoding.

The audio compression process is quite different from the video process. There is no equivalent to the different I, P, and B frame types, and audio frames always contain the same amount of audio data. There is no equivalent of bi-directional coding and audio frames are not transmitted out of sequence.

In MPEG-2 audio, the descriptor in the sequence header contains the layer that has been used to compress the audio and the type of compression used (for example, joint stereo), along with the original sampling rate. The audio sequence is assembled from a number of access units (AUs) which will be coded audio frames.

If AC-3 coding is used, as in ATSC, this usage will be reflected in the sequence header. The audio access unit (AU) is an AC-3 sync frame as described in Section 3.7. The AC-3 sync frame represents a time span equivalent of 1536 audio samples and will be 32 ms for 48 kHz sampling and 48 ms for 32 kHz.

► **Section 5 - Packetized Elementary Streams (PES)**

For practical purposes, the continuous elementary streams carrying audio or video from compressors need to be broken into packets. These packets are identified by headers that contain time stamps for synchronizing. PES packets can be used to create Program Streams or Transport Streams.

**5.1 PES Packets**

In the Packetized Elementary Stream (PES), an endless elementary stream is divided into packets of a convenient size for the application. This size might be a few hundred kilobytes, although this would vary with the application.

Each packet is preceded by a PES packet header. Figure 5-1 shows the contents of a header. The packet begins with a start-code prefix of 24 bits and a stream ID that identifies the contents of the packet as video or audio and further specifies the type of audio coding. These two parameters (start code prefix and stream ID) comprise the packet start code that identifies the beginning of a packet. It is important not to confuse the packet in a PES with the much smaller packet used in transport streams that, unfortunately, shares the same name.

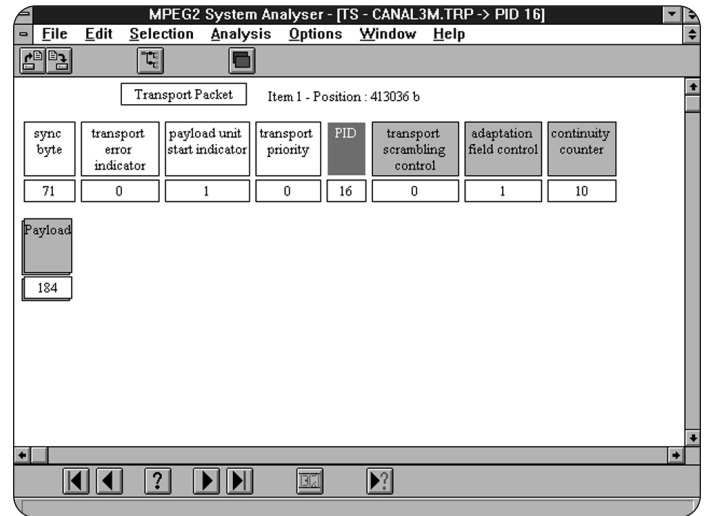
Because MPEG only defines the transport stream, not the encoder, a designer might choose to build a multiplexer that converts from elementary streams to a transport stream in one step. In this case, the PES packets may never exist in an identifiable form, but instead, they are logically present in the transport stream payload.

**5.2 Time Stamps**

After compression, pictures are sent out of sequence because of bidirectional coding. They require a variable amount of data and are subject to variable delay due to multiplexing and transmission. In order to keep the audio and video locked together, time stamps are periodically incorporated in each picture.

A time stamp is a 33-bit number that is a sample of a counter driven by a 90-kHz clock. This clock is obtained by dividing the 27-MHz program clock by 300. Since presentation times are evenly spaced, it is not essential to include a time stamp in every presentation unit. Instead, time stamps can be interpolated by the decoder, but they must not be more than 700 ms apart in either program streams or transport streams.

Time stamps indicate where a particular access unit belongs in time. Lip sync is obtained by incorporating time stamps into the headers in both video and



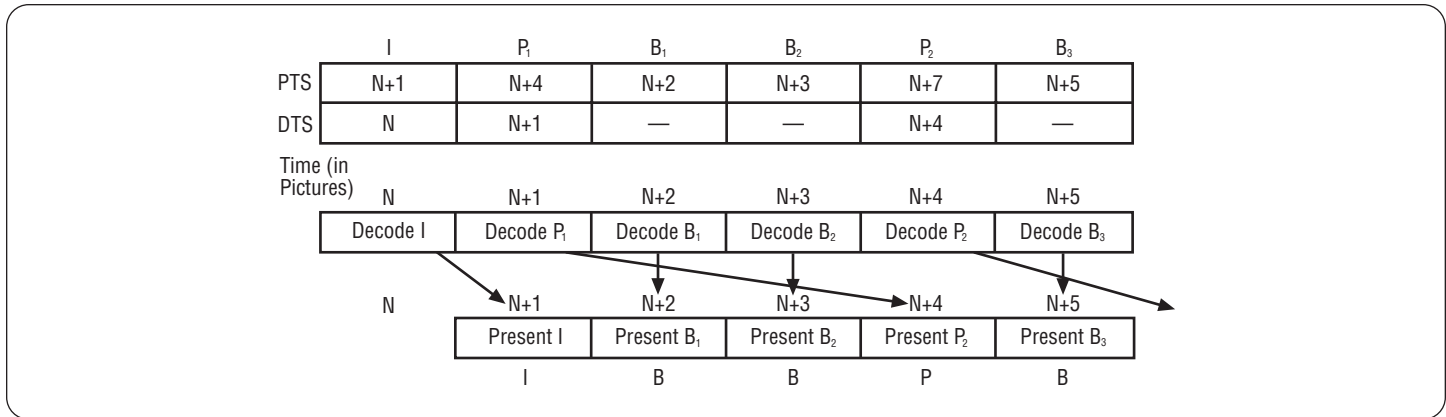
► **Figure 5-1.**

audio PES packets. When a decoder receives a selected PES packet, it decodes each access unit and buffers it into RAM. When the time-line count reaches the value of the time stamp, the RAM is read out. This operation has two desirable results. First, effective timebase correction is obtained in each elementary stream. Second, the video and audio elementary streams can be synchronized together to make a program.

**5.3 PTS/DTS**

When bidirectional coding is used, a picture may have to be decoded some time before it is presented so that it can act as the source of data for a B picture. Although, for example, pictures can be presented in the order IBBP, they will be transmitted in the order IPBB. Consequently, two types of time stamp exist. The decode time stamp (DTS) indicates the time when a picture must be decoded, whereas a presentation time stamp (PTS) indicates when it must be presented to the decoder output.

B pictures are decoded and presented simultaneously so that they only contain PTS. When an IPBB sequence is received, both I and P must be decoded before the first B picture. A decoder can only decode one picture at a time; therefore the I picture is decoded first and stored. While the P picture is being decoded, the decoded I picture is output so that it can be followed by the B pictures.



► **Figure 5-2.**

Figure 5-2 shows that when an access unit containing an I picture is received, it will have both DTS and PTS in the header and these time stamps will be separated by one picture period. If bidirectional coding is being used, a P picture must follow and this picture also has a DTS and a PTS time stamp, but the separation between the two stamp times is three picture periods to allow for the intervening B pictures. Thus, if IPBB is received, I is delayed one picture period, P is delayed three picture periods, the two Bs are not delayed at all,

and the presentation sequence becomes IBBP. Clearly, if the GOP structure is changed such that there are more B pictures between I and P, the difference between DTS and PTS in the P pictures will be greater.

The PTS/DTS flags in the packet header are set to indicate the presence of PTS alone or both PTS and DTS time stamp. Audio packets may contain several access units and the packet header contains a PTS. Because audio packets are never transmitted out of sequence, there is no DTS in an audio packet.

## ▶ Section 6 - Program Streams

Program Streams are one way of combining several PES packet streams and are advantageous for recording applications such as DVD.

### 6.1 Recording vs. Transmission

For a given picture quality, the data rate of compressed video will vary with picture content. A variable bit-rate channel will give the best results. In transmission, most practical channels are fixed and the overall bit-rate is kept constant by the use of stuffing (meaningless data).

In a DVD, the use of stuffing is a waste of storage capacity. However, a storage medium can be slowed down or speeded up, either physically or, in the case of a disk drive, by changing the rate of data transfer requests. This approach allows a variable-rate channel to be obtained without capacity penalty. When a medium is replayed, the speed can be adjusted to keep a data buffer approximately half full, irrespective of the actual bit rate which can change dynamically. If the decoder reads from the buffer at an increased rate, it will tend to empty the buffer, and the drive system will simply increase the access rate to restore balance. This technique only works if the audio and video were encoded from the same clock; otherwise, they will slip over the length of the recording.

To satisfy these conflicting requirements, Program Streams and Transport Streams have been devised as alternatives. A Program Stream works well on a single program with variable bit rate in a recording environment; a Transport Stream works well on multiple programs in a fixed bit-rate transmission environment.

The problem of genlocking to the source does not occur in a DVD player. The player determines the time base of the video with a local SPG (internal or external) and simply obtains data from the disk in order to supply pictures on that time base. In transmission, the decoder has to recreate the time base at the encoder or it will suffer overflow or underflow. Thus, a Transport Stream uses Program Clock Reference (PCR), whereas a Program Stream has no need for the Program Clock.

### 6.2 Introduction to Program Streams

A Program Stream is a PES packet multiplex that carries several elementary streams that were encoded using the same master clock or system time clock (STC). This stream might be a video stream and its associated audio streams, or a multichannel audio-only program. The elementary video stream is divided into Access Units (AUs), each of which contains compressed data describing one picture. These pictures are identified as I, P, or B and each carries an Access Unit number that indicates the correct display sequence. One video Access Unit becomes one program-stream packet. In video, these packets vary in size. For example, an I picture packet will be much larger than a B picture packet. Digital audio Access Units are generally of the same size and several are assembled into one program-stream packet. These packets should not be confused with transport-stream packets that are smaller and of fixed size. Video and audio Access Unit boundaries rarely coincide on the time axis, but this lack of coincidence is not a problem because each boundary has its own time-stamp structure.

## **A Guide to MPEG Fundamentals and Protocol Analysis**



## ► Section 7 - Transport Streams

A transport stream is more than a multiplex of many PES packets. In Program Streams, time stamps are sufficient to recreate the time axis because the audio and video are locked to a common clock. For transmission down a data network over distance, there is an additional requirement to recreate the clock for each program at the decoder. This requires an additional layer of syntax to provide program clock reference (PCR) signals.

### 7.1 The Job of a Transport Stream

The transport stream carries many different programs and each may use a different compression factor and a bit rate that can change dynamically even though the overall bit rate stays constant. This behavior is called statistical multiplexing and it allows a program that is handling difficult material to borrow bandwidth from a program handling easy material. Each video PES can have a different number of audio and data PESs associated with it. Despite this flexibility, a decoder must be able to change from one program to the next and correctly select the appropriate audio and data channels. Some of the programs can be protected so that they can only be viewed by those who have paid a subscription or fee. The transport stream must contain conditional access (CA) information to administer this protection. The transport stream contains program specific information (PSI) to handle these tasks.

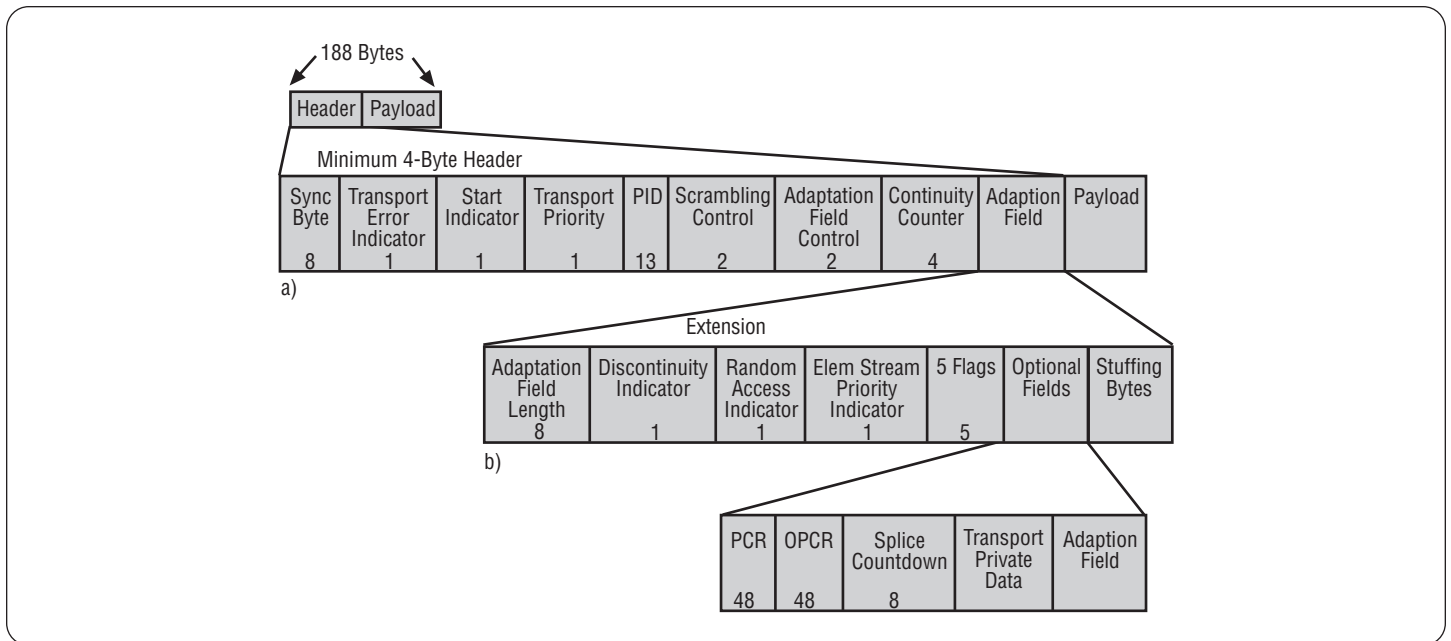
The transport layer converts the PES data into small packets of constant size that are self contained. When these packets arrive at the decoder, there may be

jitter in the timing. The use of time division multiplexing also causes delay, but this factor is not fixed because the proportion of the bit stream allocated to each program is not fixed. Time stamps are part of the solution, but they only work if a stable clock is available. The transport stream must contain further data allowing the recreation of a stable clock.

The operation of digital video production equipment is heavily dependent on the distribution of a stable system clock for synchronization. In video production, genlocking is used, but over long distances, the distribution of a separate clock is not practical. In a transport stream, the different programs may have originated in different places that are not necessarily synchronized. As a result, the transport stream has to provide a separate means of synchronizing for each program.

This additional synchronization method is called a Program Clock Reference (PCR) and it recreates a stable reference clock that can be divided down to create a time line at the decoder, so that the time stamps for the elementary streams in each program stream become useful. Consequently, one definition of a program is a set of elementary streams sharing the same timing reference.

In a Single Program Transport Stream (SPTS), there will be one PCR channel that recreates one program clock for both audio and video. The SPTS is often used as the communication between an audio/video coder and a multiplexer.



► **Figure 7-1.**

## 7.2 Packets

Figure 7-1 shows the structure of a transport stream packet. The size is a constant 188 bytes and it is always divided into a header and a payload. Figure 7-1a shows the minimum header of 4 bytes. In this header, the most important information is:

- **The sync byte.** This byte is recognized by the decoder so that the header and the payload can be deserialized.
- **The transport error indicator.** This indicator is set if the error correction layer above the transport layer is experiencing a raw-bit error rate (BER) that is too high to be correctable. It indicates that the packet may contain errors. See **Section 8 – Introduction to DVB/ATSC** for details of the error correction layer.
- **The Packet Identification (PID).** This thirteen-bit code is used to distinguish between different types of packets. More will be said about PID later.
- **The continuity counter.** This four-bit value is incremented by the encoder as each new packet having the same PID is sent. It is used to determine if any packets are lost, repeated, or out of sequence.

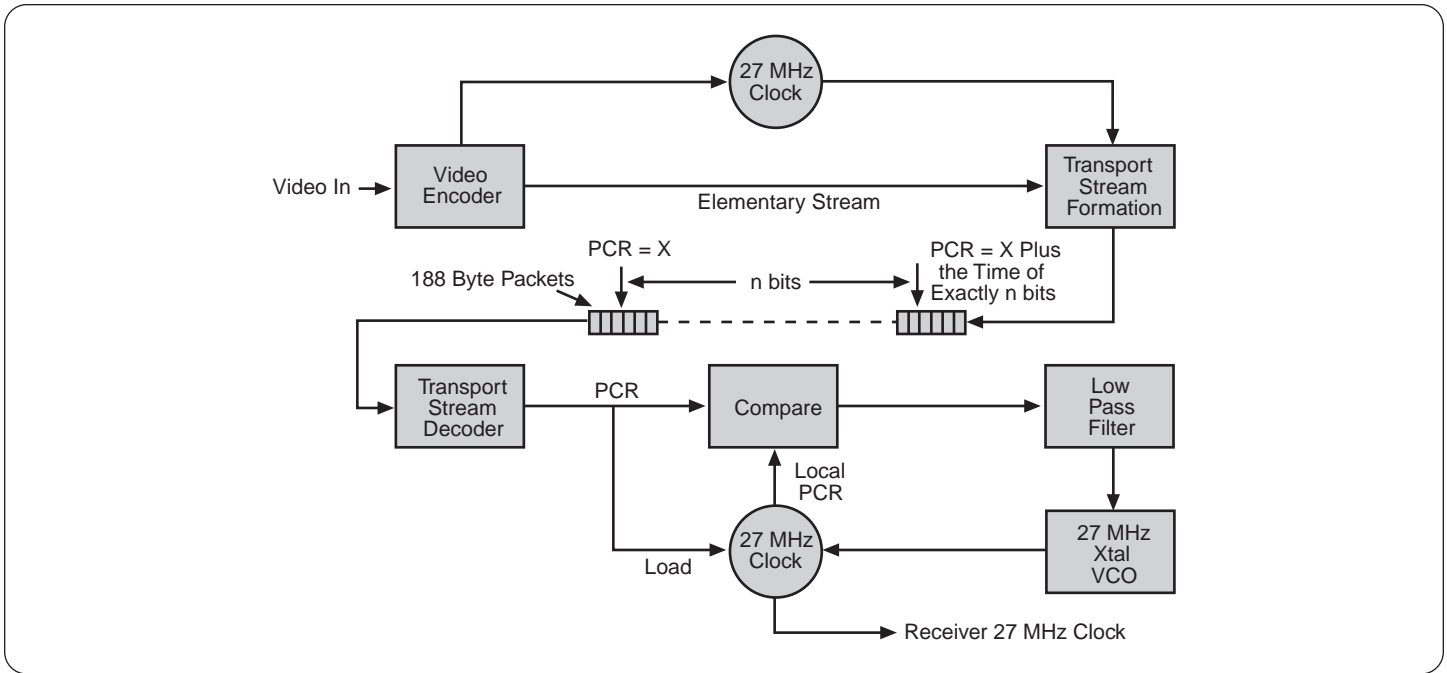
In some cases, more header information is needed, and if this is the case, the adaptation field control bits are set to indicate that the header is larger than normal. Figure 7-1b shows that when this happens the extra header length is described by the adaptation field length code. Where the header is extended, the payload becomes smaller to maintain constant packet length.

## 7.3 Program Clock Reference (PCR)

The encoder used for a particular program will have a 27 MHz program clock. In the case of an SDI (Serial Digital Interface) input, the bit clock can be divided by 10 to produce the encoder program clock. Where several programs originate in the same production facility, it is possible that they will all have the same clock. In case of an analog video input, the H-sync period will need to be multiplied by a constant in a phase-locked loop to produce 27 MHz.

The adaptation field in the packet header is periodically used to include the PCR (program clock reference) code that allows generation of a locked clock at the decoder. If the encoder or a remultiplexer has to switch sources, the PCR may have a discontinuity. The continuity count can also be disturbed. This event is handled by the discontinuity indicator, which tells the decoder to expect a disturbance. Otherwise, a discontinuity is an error condition.

Figure 7-2 shows how the PCR is used by the decoder to recreate a remote version of the 27-MHz clock for each program. The encoder clocks drive a constantly running binary counter, and the value of these counters are sampled periodically and placed in the header adaptation fields as the PCR. (The PCR, like the PTS, is a 33-bit number that is a sample of a counter driven by a 90-kHz clock). Each encoder produces packets having a different PID. The decoder recognizes the packets with the correct PID for the selected program and ignores others. At the decoder, a VCO generates a nominal 27-MHz clock and this drives a local PCR counter. The local PCR is compared with the PCR



► Figure 7-2.

from the packet header, and the difference is the PCR phase error. This error is filtered to control the VCO that eventually will bring the local PCR count into step with the header PCRs. Heavy VCO filtering ensures that jitter in PCR transmission does not modulate the clock. The discontinuity indicator will reset the local PCR count and, optionally, may be used to reduce the filtering to help the system quickly lock to the new timing.

MPEG requires that PCRs are sent at a rate of at least 10 PCRs per second, whereas DVB specifies a minimum of 25 PCRs per second.

### 7.4 Packet Identification (PID)

A 13-bit field in the transport packet header contains the Packet Identification Code (PID). The PID is used by the demultiplexer to distinguish between packets containing different types of information. The transport-stream bit rate must be constant, even though the sum of the rates of all of the different streams it contains can vary. This requirement is handled by the use of null packets that contain all zeros in the payload. If the real payload rate falls, more null packets are inserted. Null packets always have the same PID, which is 8191 or thirteen 1s.

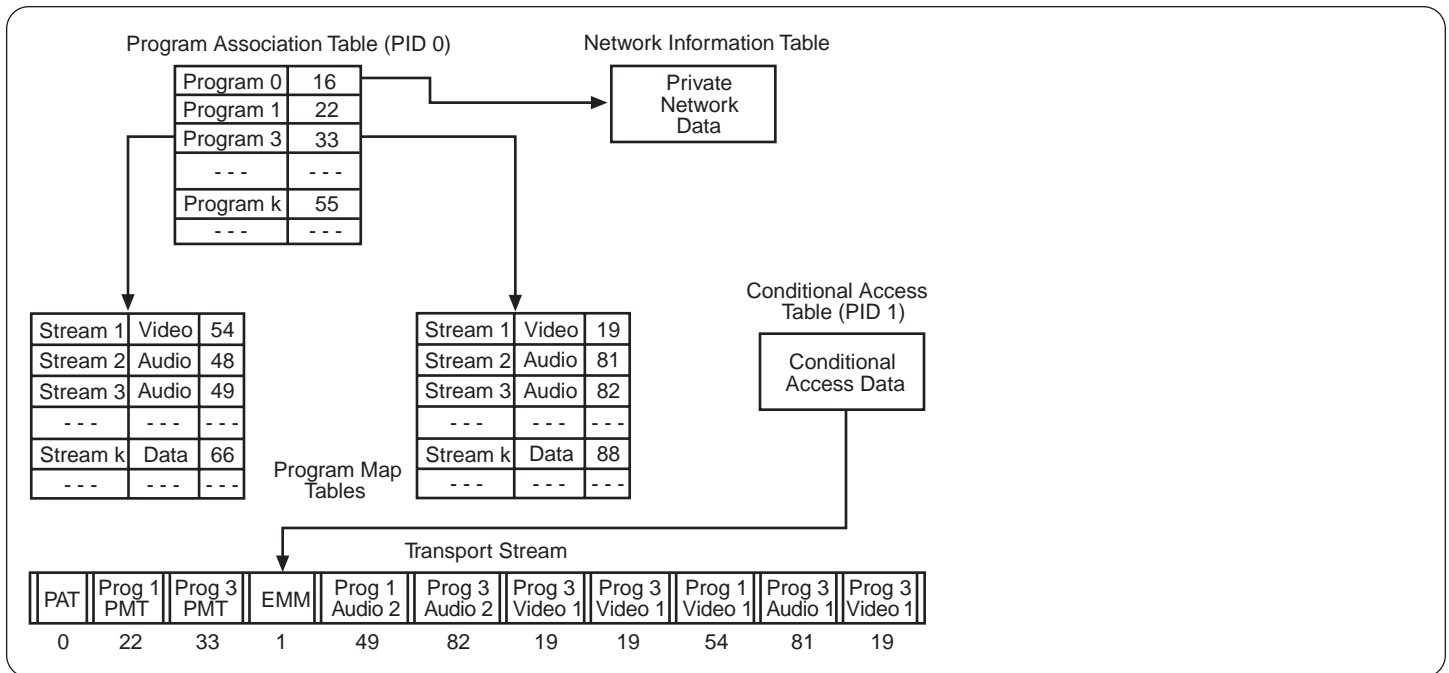
In a given transport stream, all packets belonging to a given elementary stream will have the same PID. Packets in another elementary stream will have another PID. The demultiplexer can easily select all data for a given elementary stream

simply by accepting only packets with the right PID. Data for an entire program can be selected using the PIDs for video, audio, and teletext data. The demultiplexer can correctly select packets only if it can correctly associate them with the transport stream to which they belong. The demultiplexer can do this task only if it knows what the right PIDs are. This is the function of the Program Specific Information (PSI).

### 7.5 Program Specific Information (PSI)

PSI is carried in packets having unique PIDs, some of which are standardized and some of which are specified by the Program Association Table (PAT) and the Conditional Access Table (CAT). These packets must be included periodically in every transport stream. The PAT always has a PID of 0, and the CAT always has a PID of 1. These values and the null packet PID of 8191 are the only fixed PIDs in the whole MPEG system. The demultiplexer must determine all of the remaining PIDs by accessing the appropriate table. However, in ATSC and DVB, PMTs may require specific PIDs. In this respect (and in some others), MPEG and DVB/ATSC are not fully interchangeable.

The program streams that exist in the transport stream are listed in the program association table (PAT) packets (PID = 0) that specify the PIDs of all Program Map Table (PMT) packets. The first entry in the PAT, program 0, is



► **Figure 7-3.**

always reserved for network data and contains the PID of network information table (NIT) packets.

The PIDs for Entitlement Control Messages (ECM) and Entitlement Management Messages (EMM) are listed in the Conditional Access Table (CAT) packets (PID = 1).

As Figure 7-3 shows, the PIDs of the video, audio, and data elementary streams that belong in the same program stream are listed in the Program Map Table (PMT) packets. Each PMT packet has its own PID.

A given network information table contains details of more than just the transport stream carrying it. Also included are details of other transport streams that may be available to the same decoder, for example, by tuning to a different RF channel or steering a dish to a different satellite. The NIT may list a number of other transport streams and each one may have a descriptor that specifies the radio frequency, orbital position, and so on. In MPEG, only the NIT is mandatory for this purpose. In DVB, additional metadata, known as DVB-SI, is included, and the NIT is considered to be part of DVB-SI. This operation is discussed in

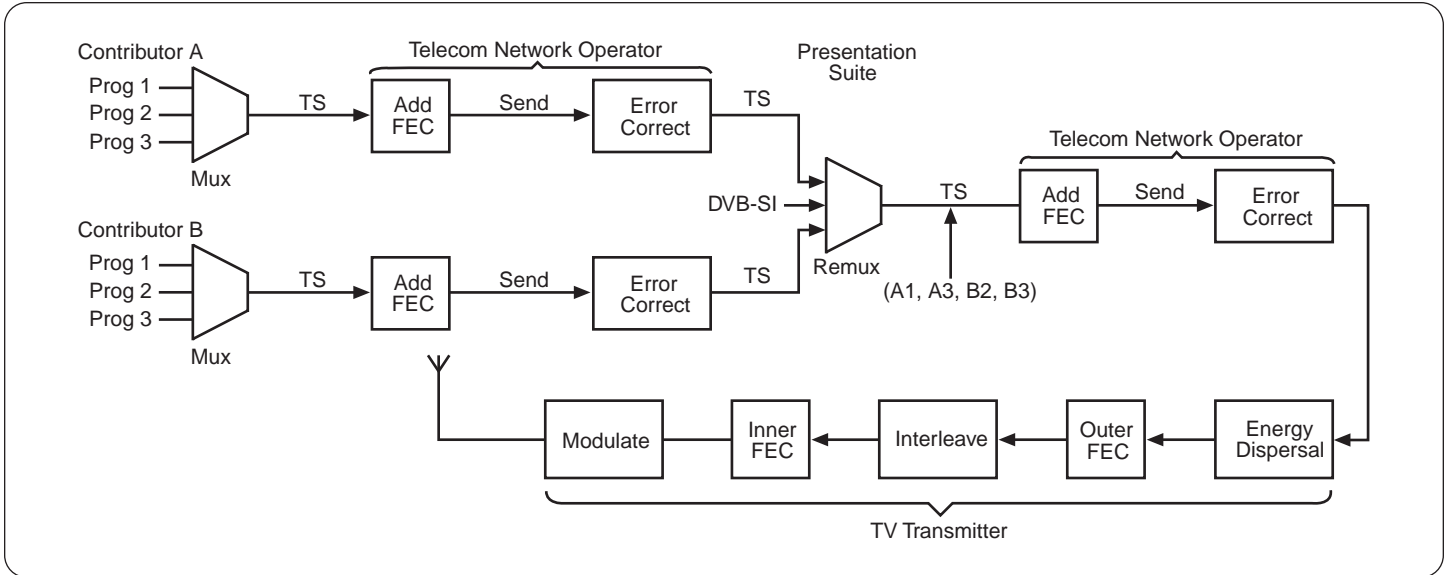
**Section 8 – Introduction to DVB/ATSC.** When discussing the subject in general, the term PSI/SI is used.

Upon first receiving a transport stream, the demultiplexer must look for PIDs 0 and 1 in the packet headers. All PID 0 packets contain the Program Association Table (PAT). All PID 1 packets contain Conditional Access Table (CAT) data.

By reading the PAT, the demux can find the PIDs of the Network Information Table (NIT) and of each Program Map Table (PMT). By finding the PMTs, the demux can find the PIDs of each elementary stream.

Consequently, if the decoding of a particular program is required, reference to the PAT and then the PMT is all that is needed to find the PIDs of all of the elementary streams in the program. If the program is encrypted, access to the CAT will also be necessary. As demultiplexing is impossible without a PAT, the lockup speed is a function of how often the PAT packets are sent. MPEG specifies a maximum of 0.5 seconds between the PAT packets and the PMT packets that are referred to in those PAT packets. In DVB and ATSC, the NIT may reside in packets that have a specific PID.

► Section 8 - Introduction to DVB/ATSC



► Figure 8-1.

MPEG compression is already being used in broadcasting and will become increasingly important in the future. A discussion of the additional requirements of broadcasting data follows.

**8.1 An Overall View**

ATSC stands for the Advanced Television Systems Committee, which is a U.S. organization that defines standards for terrestrial digital broadcasting and cable distribution. DVB refers to the Digital Video Broadcasting Project and to the standards and practices established by the DVB Project. This project was originally a European project, but produces standards and guides accepted in many areas of the world. These standards and guides encompass all transmission media, including satellite, cable, and terrestrial broadcasting.

Digital broadcasting has different distribution and transmission requirements, as is shown in Figure 8-1. Broadcasters will produce transport streams that contain several television programs. Transport streams have no protection against errors, and in compressed data, the effect of errors is serious. Transport streams need to be delivered error-free to transmitters, satellite uplinks, and cable head ends. In this context, error free means a BER of  $1 \times 10^{-11}$ . This task is normally entrusted to Telecommunications Network Operators, who will use an additional layer of error correction as needed. This layer should be transparent to the destination.

A particular transmitter or cable operator may not want all of the programs in a transport stream. Several transport streams may be received and a selection of channels may be made and encoded into a single output transport stream using a remultiplexer. The configuration may change dynamically.

Broadcasting in the digital domain consists of conveying the entire transport stream to the viewer. Whether the channel is cable, satellite, or terrestrial, the problems are much the same. Metadata describing the transmission must be encoded into the transport stream in a standardized way. In DVB, this metadata is called Service Information (DVB-SI) and includes details of programs carried on other multiplexes and services such as teletext.

In broadcasting, there is much less control of the signal quality and noise or interference is a possibility. This requires some form of forward error correction (FEC) layer. Unlike the FEC used by the Telecommunications Network Operators, which can be proprietary, (or standardized as per ETSI, which defines DVB transmission over SDH and PDH networks), the FEC used in broadcasting must be standardized so that receivers will be able to handle it.

The addition of error correction obviously increases the bit rate as far as the transmitter or cable is concerned. Unfortunately, reliable, economical radio and cable-transmission of data requires more than serializing the data. Practical systems require channel coding.

### 8.2 Remultiplexing

Remultiplexing is a complex task because it has to output a compliant bit stream that is assembled from parts of others. The required data from a given input transport stream can be selected with reference to the program association table and the program map tables that will disclose the PIDs of the programs required. It is possible that the same PIDs have been used in two input transport streams; therefore, the PIDs of one or more elementary streams may have to be changed. The packet headers must pass on the program clock reference (PCR) that will allow the final decoder to recreate a 27-MHz clock. As the position of packets containing PCR may be different in the new multiplex, the remultiplexer may need to edit the PCR values to reflect their new position on the time axis.

The program map tables and program association tables will need to be edited to reflect the new transport stream structure, as will the Conditional Access Tables (CAT).

If the sum of the selected program-stream bit rates is less than the output bit rate, the remultiplexer will create stuffing packets with suitable PIDs. However, if the transport streams have come from statistical multiplexers, it is possible that the instantaneous bit rate of the new transport stream will exceed the channel capacity. This condition might occur if several selected programs in different transport streams simultaneously contain high entropy. In this case, the only solution is to recompress and create new, shorter coefficients in one or more bit streams to reduce the bit rate.

### 8.3 Service Information (SI)

In the future, digital delivery will mean that there will be a large number of programs, teletext, and services available to the viewer and these may be spread across a number of different transport streams. Both the viewer and the Integrated Receiver Decoder (IRD) will need help to display what is available and to output the selected service. This capability requires metadata beyond the capabilities of MPEG-PSI (Program Specific Information) and is referred to as DVB-SI (Service Information). DVB-SI is considered to include the NIT, which must be present in all MPEG transport streams.

DVB-SI is embedded in the transport stream as additional transport packets with unique PIDs and carries technical information for IRDs. DVB-SI also contains Electronic Program Guide (EPG) information, such as the nature of a program, the timing and the channel on which it can be located, and the countries in which it is available. Programs can also be rated so that parental judgment can be exercised.

DVB-SI can include the following options over and above MPEG-PSI:

- ▶ **Service Description Table (SDT).** Each service in a DVB transport stream can have a service descriptor and these descriptors are assembled into the Service Description Table. A service may be television, radio, or teletext. The service descriptor includes the name of the service provider.
- ▶ **Event Information Table (EIT).** EIT is an optional table for DVB which contains program names, start times, durations, and so on.
- ▶ **Bouquet Association Table (BAT).** The BAT is an optional table for DVB that provides details of bouquets, which are collections of services marketed as a single product.
- ▶ **Time and Date Table (TDT).** The TDT is an option that embeds a UTC time and date stamp in the transport stream.

### 8.4 Error Correction

Error correction is necessary because conditions on long transmission paths cannot be controlled. In some systems, error detection is sufficient because it can be used to request a retransmission. Clearly, this approach will not work with real-time signals such as television. Instead, a system called Forward Error Correction (FEC) is used in which sufficient extra bits, known as redundancy, are added to the data to allow the decoder to perform corrections in real time.

The FEC used in modern systems is usually based on the Reed-Solomon (R-S) codes. A full discussion of these is outside the scope of this book. Briefly, R-S codes add redundancy to the data to make a code-word such that when each symbol is used as a term in a minimum of two simultaneous equations, the sum (or syndrome) is always zero if there is no error. This zero condition is obtained irrespective of the data and makes checking easy. In Transport streams, the packets are always 188 bytes long. The addition of 16 bytes of R-S redundancy produces a standard FEC code-word of 204 bytes.

In the event that the syndrome is non-zero, solving the simultaneous equations will result in two values needed for error correction: the location of the error and the nature of the error. However, if the size of the error exceeds half the amount of redundancy added, the error cannot be corrected. Unfortunately, in typical transmission channels, the signal quality is statistical. This means that while single bits may be in error due to noise, on occasion a large number of bits, known as a burst, can be corrupted together. This corruption might be due to lightning or interference from electrical equipment.

It is not economic to protect every code word against such bursts because they do not occur often enough. The solution is to use a technique known as interleaving. Figure 8-2 shows that, when interleaving is used, the source data are FEC coded, but prior to transmission, they are fed into a RAM buffer. Figure 8-3 shows one possible technique in which data enters the RAM in rows and are then read out in columns. The reordered data are now transmitted. On reception, the data are put back to their original order, or deinterleaved, by using a second RAM. The result of the interleaving process is that a burst of errors in the channel after deinterleaving becomes a large number of single-symbol errors, which are more readily correctable.

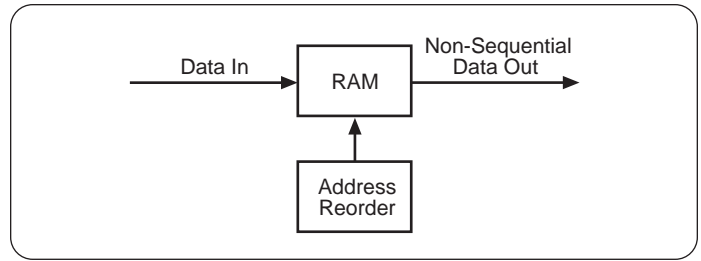
When a burst error reaches the maximum correctable size, the system is vulnerable to random bit errors that make code-words uncorrectable. The use of an inner code applied after interleave and corrected before deinterleave can prevent random errors from entering the deinterleave memory.

As Figure 8-3 shows, when this approach is used with a block interleave structure, the result is a product code. Figure 8-4 shows that interleave can also be convolutional, in which the data array is sheared by applying a different delay to each row. Convolutional, or cross interleave, has the advantage that less memory is needed to interleave and deinterleave.

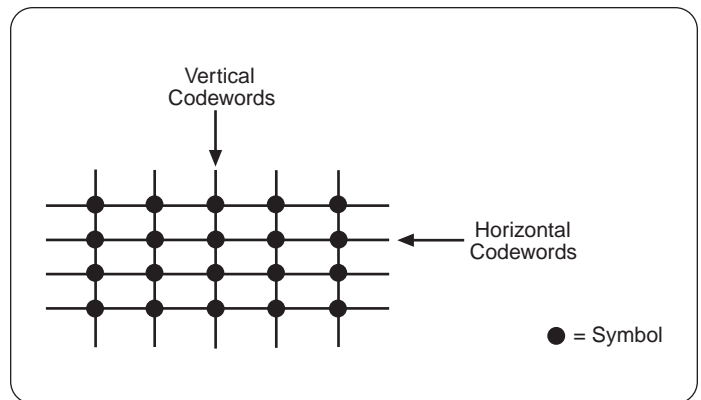
**8.5 Channel Coding**

Raw-serial binary data is unsuitable for transmission for several reasons. Runs of identical bits cause DC offsets and lack a bit clock. There is no control of the spectrum and the bandwidth required is too great. In practical radio and cable systems, a modulation scheme called a channel code is necessary.

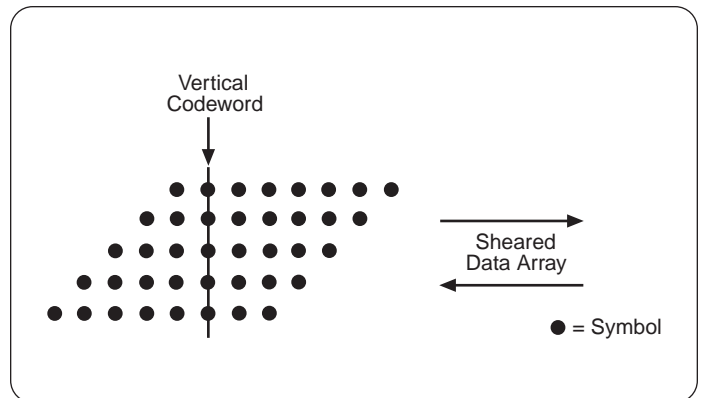
In terrestrial broadcasting, channel bandwidth is at a premium and channel codes which minimize bandwidth are required. In multi-level signaling, the transmitter power is switched between, for example, eight different levels. This approach results in each symbol represents three data bits, requiring one third the bandwidth of binary. As an analog transmitter requires about 8-bit resolution, transmitting three-bit resolution can be achieved with a much lower SNR and with lower transmitter power. In the ATSC system, it is proposed to use a



► **Figure 8-2.**

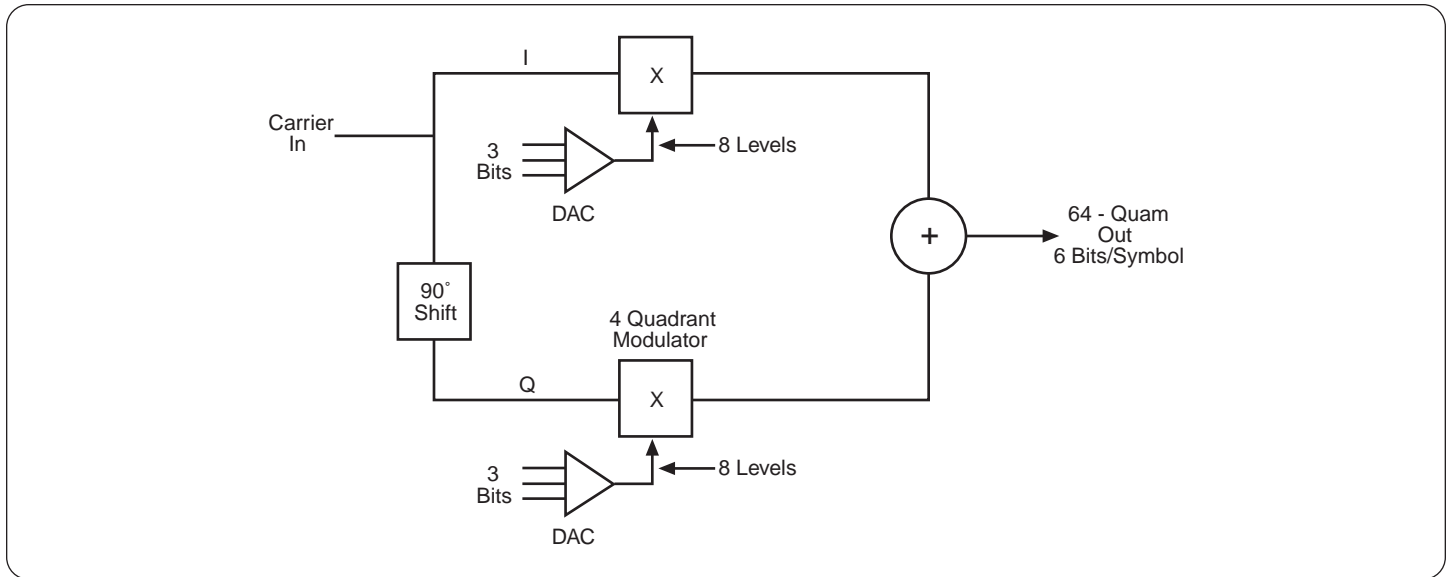


► **Figure 8-3.**



► **Figure 8-4.**

system called 8-VSB. Eight-level modulation is used and the transmitter output has a vestigial lower sideband like that used in analog television transmissions. In satellite broadcasting, there is less restriction on bandwidth, but the received signal has a poor SNR, which precludes using multi-level signaling. In this case, it is possible to transmit data by modulating the phase of a signal. In

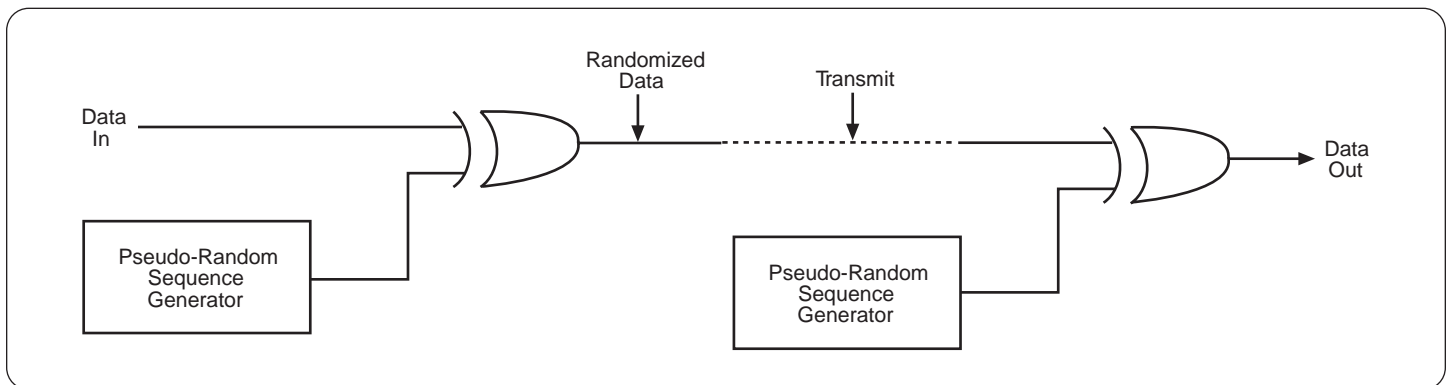


► **Figure 8-5.**

Phase Shift Keying (PSK), the carrier is transmitted in different phases according to the bit pattern. In Quadrature Phase Shift Keying (QPSK), there are four possible phases. The phases are 90 degrees apart, therefore each symbol carries two bits.

For cable operation, multi-level signaling and phase-shift keying can be combined in Quadrature Amplitude Modulation (QAM), which is a discrete version of the modulation method used in composite video subcarrier. Figure 8-5 shows that if two quadrature carriers, known as I and Q, are individually modulated into eight levels each, the result is a carrier which can have 64 possible combinations of amplitude and phase. Each symbol carries six bits, therefore the bandwidth required is one third that of QPSK.

In the schemes described above, the transmitted signal spectrum is signal dependent. Some parts of the spectrum may contain high energy and cause interference to other services, whereas other parts of the spectrum may contain little energy and be susceptible to interference. In practice, randomizing is necessary to decorrelate the transmitted spectrum from the data content. Figure 8-6 shows that when randomizing or energy dispersal is used, a pseudo-random sequence is added to the serial data before it is input to the modulator. The result is that the transmitted spectrum is noise-like with relatively stationary statistics. Clearly, an identical and synchronous sequence must be subtracted at the receiver as shown. Randomizing cannot be applied to sync patterns, or they could not be detected.



► **Figure 8-6.**

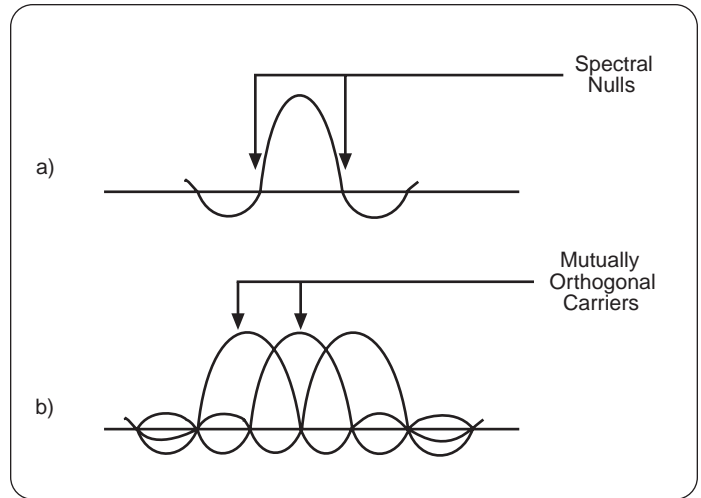


In the above systems, a baseband signal is supplied to a modulator that operates on a single carrier to produce the transmitted sideband(s). In digital systems with fixed bit rates, the frequency of the sidebands is known. An alternative to a wideband system is one that produces many narrowband carriers at carefully regulated spacing. Figure 8-7a shows that a digitally modulated carrier has a spectral null at each side. Another identical carrier can be placed here without interference because the two are mutually orthogonal as Figure 8-7b shows. This is the principle of COFDM (Coded Orthogonal Frequency Division Multiplexing), which is proposed for use with DVB terrestrial broadcasts (DVB-T).

### 8.6 Inner Coding

The inner code of a FEC system is designed to prevent random errors from reducing the power of the interleave scheme. A suitable inner code can prevent such errors by giving an apparent increase to the SNR of the transmission. In trellis coding, which can be used with multi-level signaling, several multi-level symbols are associated into a group. The waveform that results from a particular group of symbols is called a trellis. If each symbol can have eight levels, then in three symbols there can be 512 possible trellises.

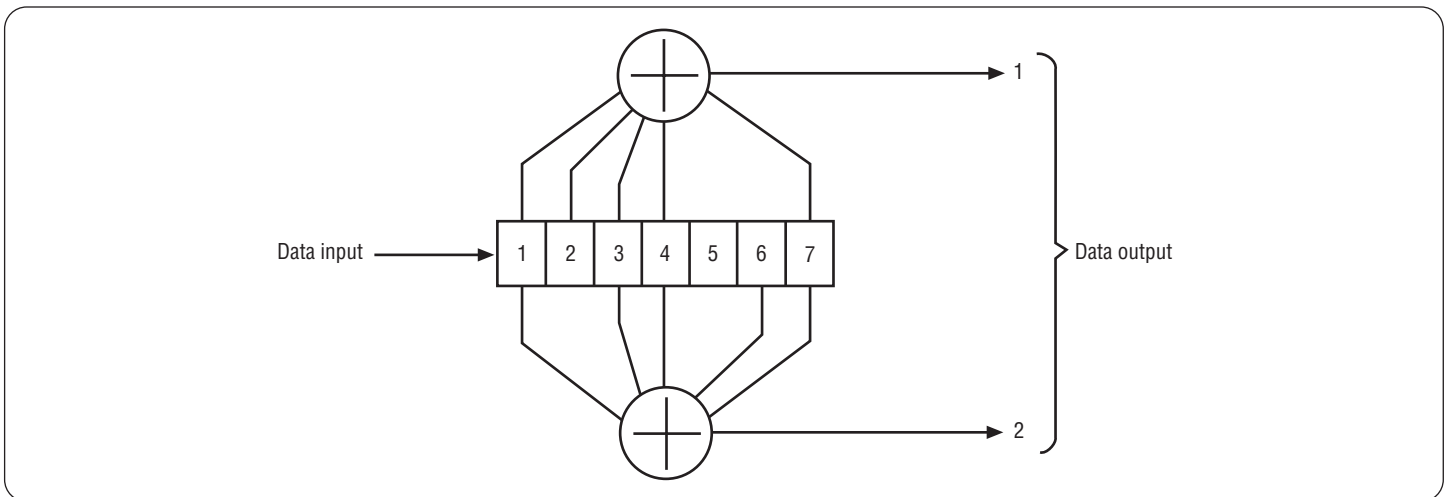
In trellis coding, the data are coded such that only certain trellis waveforms represent valid data. If only 64 of the trellises represent error-free data, then two data bits per symbol can be sent instead of three. The remaining bit is a form of redundancy because trellises other than the correct 64 must be due to errors. If a trellis is received in which the level of one of the symbols is ambiguous due to noise, the ambiguity can be resolved because the correct level must be the one which gives a valid trellis. This technique is known as maximum-likelihood decoding.



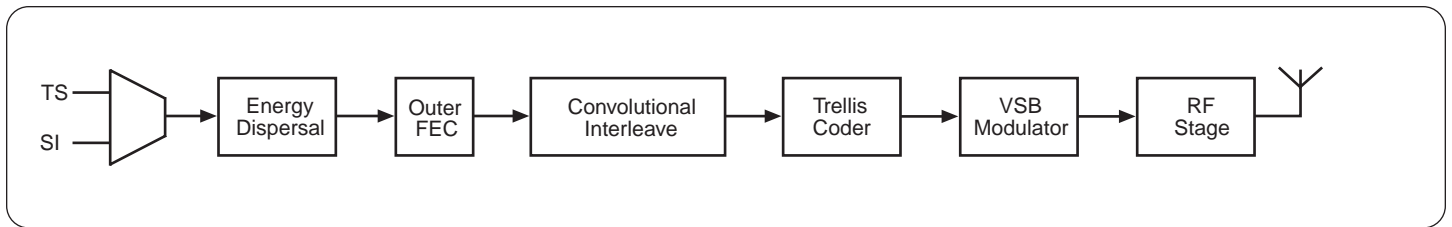
► Figure 8-7.

The 64 valid trellises should be made as different as possible to make the system continue to work with a poorer signal-to-noise ratio. If the trellis coder makes an error, the outer code will correct it.

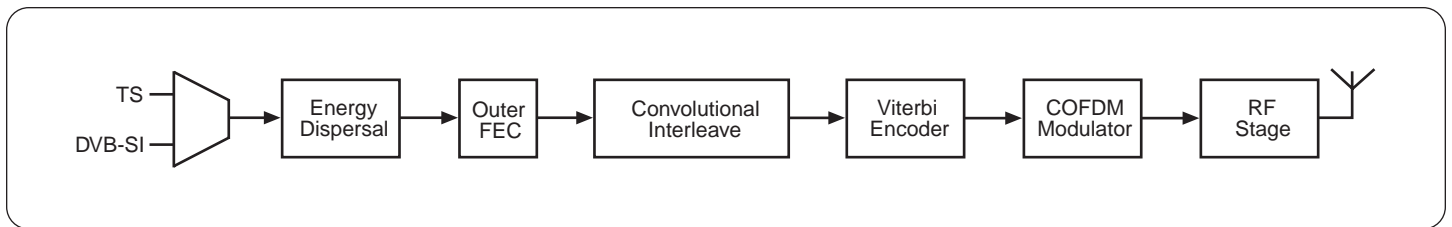
In DVB, Viterbi convolutional coding may be used. Figure 8-8 shows that following interleave, the data are fed to a shift register. The contents of the shift register produce two outputs that represent different parity checks on the input data so that bit errors can be corrected. Clearly, there will be two output bits for every input bit; therefore the coder shown is described as a 1/2 rate coder. Any rate between 1/1 and 1/2 would still allow the original data to be transmitted, but the amount of redundancy would vary. Failing to transmit the entire 1/2



► Figure 8-8.



▶ **Figure 8-9.**



▶ **Figure 8-10.**

output is called puncturing and it allows any required balance to be obtained between bit rate and correcting power.

### 8.7 Transmitting Digits

Figure 8-9 shows the elements of an ATSC digital transmitter. Service information describing the transmission is added to the transport stream. This stream is then randomized prior to routing to an outer R-S error correction coder that adds redundancy to the data. A convolutional interleave process then reorders the data so that adjacent data in the transport stream are not adjacent in the transmission. An inner trellis coder is then used to produce a multi-level signal for the VSB modulator.

Figure 8-10 shows a DVB-T transmitter. Service information is added as before, followed by the randomizing stage for energy dispersal. Outer R-S

check symbols are added prior to interleaving. After the interleaver, the inner coding process takes place, and the coded data is fed to a COFDM modulator. The modulator output is then upconverted to produce the RF output.

At the receiver, the bit clock is extracted and used to control the timing of the whole system. The channel coding is reversed to obtain the raw data plus the transmission errors. The inner code corrects random errors and may identify larger errors to help the outer coder after deinterleaving. The randomizing is removed and the result is the original transport stream. The receiver must identify the Program Association Table (PAT) and the Service Information (SI) and Program Map Tables (PMT) that the PAT points to so the viewer can be told what is available in the transport stream and the selected program can be located in the multiplex.

► **Section 9 - MPEG Testing**

The ability to analyze existing transport streams for compliance is essential, but this ability must be complemented by an ability to create known-compliant transport streams.

**9.1 Testing Requirements**

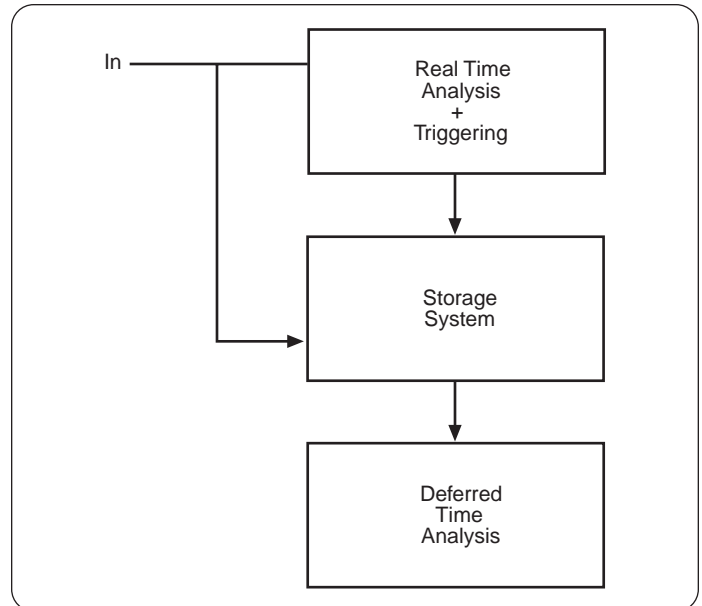
Although the technology of MPEG differs dramatically from the technology that preceded it, the testing requirements are basically the same. On an operational basis, the user wants to have a simple, regular confidence check that ensures all is well. In the event of a failure, the location of the fault needs to be established rapidly. For the purpose of equipment design, the nature of problems needs to be explored in some detail. As with all signal testing, the approach is to combine the generation of known valid signals for insertion into a system with the ability to measure signals at various points.

One of the characteristics of MPEG that distances it most from traditional broadcast video equipment is the existence of multiple information layers, in which each layer is hoped to be transparent to the one below. It is very important to be able to establish in which layer any fault resides to avoid a fruitless search.

For example, if the picture monitor on an MPEG decoder is showing visible defects, these defects could be due to a number of possibilities. Perhaps the encoder is faulty, and the transport stream is faithfully delivering the faulty information. On the other hand, the encoder might be fine, but the transport layer is corrupting the data. In DVB, there are even more layers such as energy dispersal, error correction, and interleaving. Such complexity requires a structured approach to fault finding, using the right tools. The discussion of protocol analysis of the compressed data in this primer may help the user derive such an approach. Reading the discussion of another important aspect of testing for compressed television, picture-quality assessment, may also be helpful. This later discussion is found in the Tektronix publication, *A Guide to Video Measurements for Compressed Television Systems*.

**9.2 Analyzing a Transport Stream**

An MPEG transport stream has an extremely complex structure, but an analyzer such as the MTS 100 can break down the structure in a logical fashion such that the user can observe any required details. Many general types of analysis can take place in real time on a live transport stream. These include displays of the hierarchy of programs in the transport stream and of the proportion of the stream bit rate allocated to each stream.

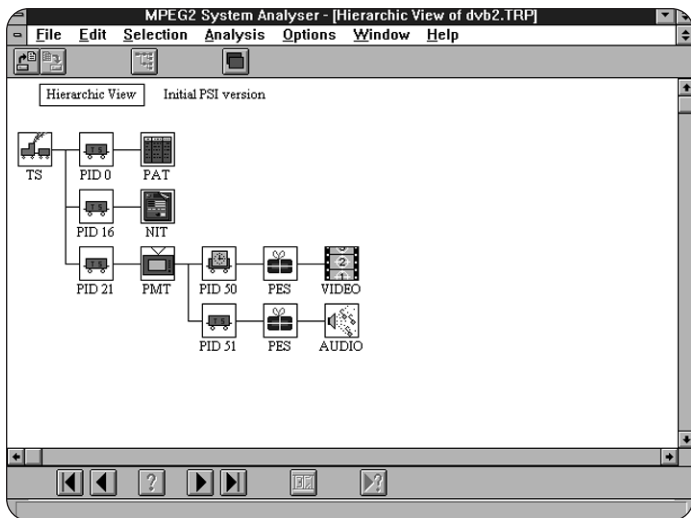


► **Figure 9-1.**

More detailed analysis is only possible if part of a transport stream is recorded so that it can be picked apart later. This technique is known as deferred-time testing and could be used, for example, to examine the contents of a time stamp.

When used for deferred-time testing, the MPEG transport-stream analyzer is acting like a logic analyzer that provides data-interpretation tools specific to MPEG. Like all logic analyzers, a real-time triggering mechanism is required to determine the time or conditions under which capture will take place. Figure 9-1 shows that an analyzer contains a real-time section, a storage section, and a deferred section. In real-time analysis, only the real-time section operates, and a signal source needs to be connected. For capture, the real-time section is used to determine when to trigger the capture. The analyzer includes tools known as filters that allow selective analysis to be applied before or after capture.

Once the capture is completed, the deferred section can operate on the captured data and the input signal is no longer necessary. There is a good parallel in the storage oscilloscope which can display the real-time input directly or save it for later study.



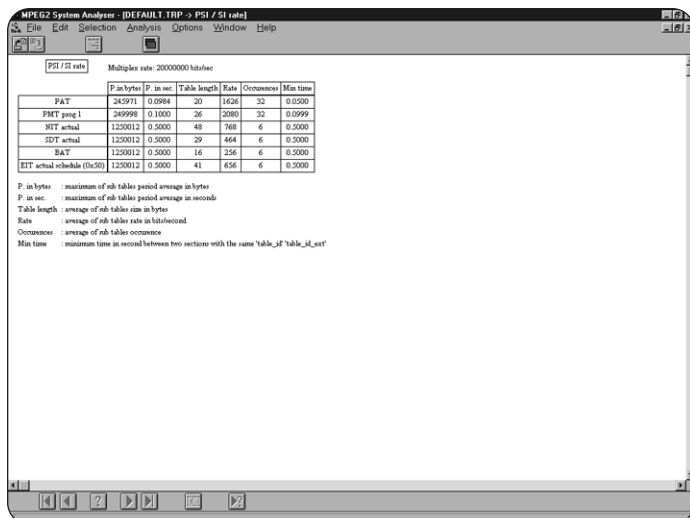
▶ Figure 9-2.

### 9.3 Hierarchic View

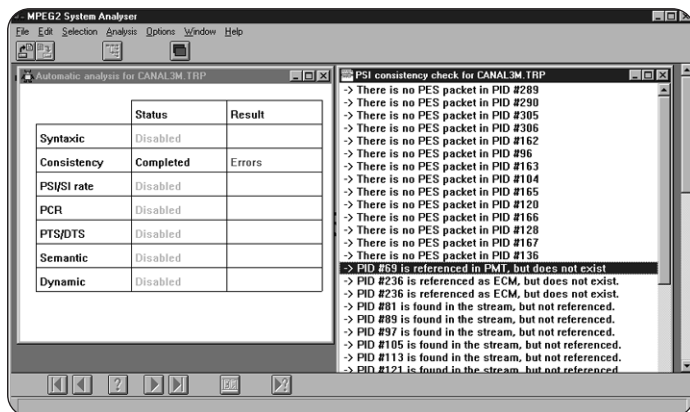
When analyzing an unfamiliar transport stream, the hierarchic view is an excellent starting point because it enables a graphic view of every component in the stream. Figure 9-2 shows an example of a hierarchic display such as that provided by the Tektronix MTS 200. Beginning at top left of the entire transport stream, the stream splits and an icon is presented for every stream component. Table 9-1 shows the different icons that the hierarchical view uses and their meaning. The user can very easily see how many program streams are present and the video and audio content of each. Each icon represents the top layer of a number of lower analysis and information layers.

The analyzer creates the hierarchic view by using the PAT and PMT in the Program Specific Information (PSI) data in the transport stream. The PIDs from these tables are displayed beneath each icon. PAT and PMT data are fundamental to the operation of any demultiplexer or decoder; if the analyzer cannot display a hierarchic view or displays a view which is obviously wrong, the transport stream under test has a PAT/PMT error. It is unlikely that equipment further up the line will be able to interpret the stream at all.

The ability of a demux or decoder to lock to a transport stream depends on the frequency with which the PSI data are sent. The PSI/SI rate option shown in















▶ Figure 9-3.

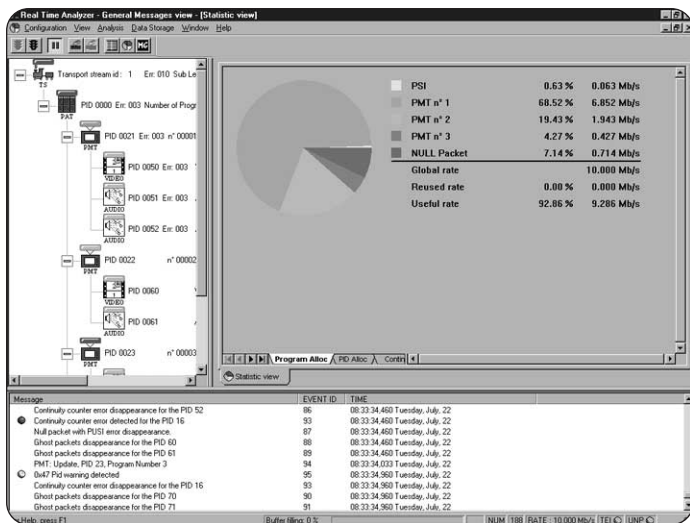


▶ Figure 9-4.

Figure 9-3 displays the frequency of insertion of system information. PSI/SI information should also be consistent with the actual content in the bit stream. For example, if a given PID is referenced in a PMT, it should be possible to find PIDs of this value in the bit stream. The consistency-check function makes such a comparison. Figure 9-4 shows a consistency-error readout.

► **Table 9-1. Hierarchical View Icons**

Icon	Element Type
 TS	Multiplex transport packets. This icon represents all (188- and 204-byte transport packets) that make up the stream. If you visualize the transport stream as a train, this icon represents every car in the train, regardless of its configuration (for example, flat car, boxcar, or hopper) and what it contains.
	Transport packets of a particular PID (Program ID). Other elements (tables, clocks, PES packets) are the “payload” contained within transport packets or are constructed from the payload of several transport packets that have the same PID. The PID number appears under the icon. In the hierarchic view, the icon to the right of this icon represents the payload of packets with this PID.
	Transport Packets that contain independent PCR clocks. The PID appears under the icon.
 PAT	PAT (Program Association Table) sections. Always contained in PID 0 transport packets.
 PMT	PMT (Program Map Table) sections.
	NIT (Network Information Table). Provides access to SI Tables through the PSI/SI command from the Selection menu. Also used for Private sections. When the DVB option (in the Options menu) is selected, this icon can also represent SDT, BAT, EIT, and TDT sections.
 PES	Packetized Elementary Stream (PES). This icon represents all packets that, together, contain a given elementary stream. Individual PES packets are assembled from the payloads of several transport packets.
 VIDEO	Video elementary stream.
 AUDIO	Audio elementary stream.
 DATA	Data elementary stream.
 ECM	ECM (Entitlement Control Message) sections.
	EMM (Entitlement Management Message) sections.



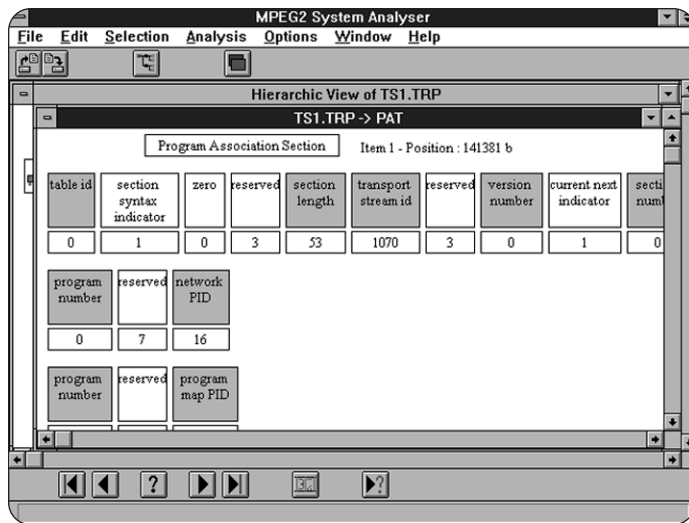
► **Figure 9-5.**

A MUX allocation chart may graphically display the proportions of the transport stream allocated to each PID or program. Figure 9-5 shows an example of a MUX-allocation pie-chart display. The hierarchical view and the MUX Allocation Chart show the number of elements in the transport stream and the proportion of bandwidth allocated, but they do not show how the different elements are distributed in time in the multiplex. The PID map function displays, in order of reception, a list of the PID of every packet in a section of the transport stream. Each PID type is color-coded differently, so it is possible to assess the uniformity of the multiplexing. Bursts of SI data in a Transport Stream, sent as contiguous packets, may cause buffer overflows in the decoder.

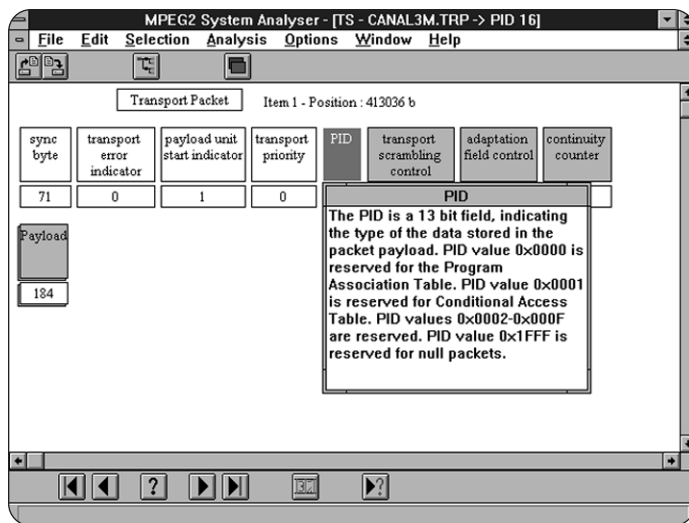
## 9.4 Interpreted View

As an alternative to checking for specific data in unspecified places, it is possible to analyze unspecified data in specific places, including in the individual transport stream packets, the tables, or the PES packets. This analysis is known as the interpreted view because the analyzer automatically parses and decodes the data and then displays its meaning. Figure 9-6 shows an example of an interpreted view. As the selected item is changed, the elapsed time and byte count relative to the start of the stream can be displayed.

The interpreted view can also be expanded to give a full explanation of the meaning of any field in the interpreted item. Figure 9-7 shows an example of a field explanation. Because MPEG has so many different parameters, field explanations can help recall their meanings.



► **Figure 9-6.**



► **Figure 9-7.**

## 9.5 Syntax and CRC Analysis

To ship program material, the transport stream relies completely on the accurate use of syntax by encoders. Without correct settings of fixed flag bits, sync patterns, packet-start codes, and packet counts, a decoder may misinterpret the bit stream. The syntax check function considers all bits that are not program material and displays any discrepancies. Spurious discrepancies could be due to transmission errors; consistent discrepancies point to a faulty encoder or multiplexer. Figure 9-8 shows a syntax-error display.

Many MPEG tables have checksums or CRCs attached for error detection. The analyzer can recalculate the checksums and compare them with the actual checksum. Again, spurious CRC mismatches could be due to stream-bit errors, but consistent CRC errors point to a hardware fault.

### 9.6 Filtering

A transport stream contains a great amount of data, and in real fault conditions, it is probable that, unless a serious problem exists, much of the data is valid and that perhaps only one elementary stream or one program is affected. In this case, it is more effective to test selectively, which is the function of filtering.

Essentially, filtering allows the user of an analyzer to be more selective when examining a transport stream. Instead of accepting every bit, the user can analyze only those parts of the data that meet certain conditions.

One condition results from filtering packet headers so that only packets with a given PID are analyzed. This approach makes it very easy to check the PAT by selecting PID 0, and, from there, all other PIDs can be read out. If the PIDs of a suspect stream are known, perhaps from viewing a hierarchical display, it is easy to select a single PID for analysis.

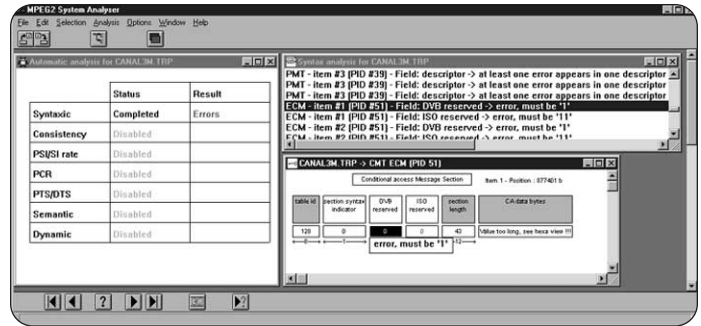
Alternatively, the filtering can be used to search for unknown PIDs on the basis of some condition. For example, if it is not known what audio compression levels are being used, it is possible to search audio sequence headers containing, say, Layer 2 coding.

It may be useful to filter so that only certain elementary-stream access units are selected. At a very low level, it may be useful to filter on a specific four-byte bit pattern. In the case of false detection of sync patterns, this filter would allow the source of the false syncs to be located.

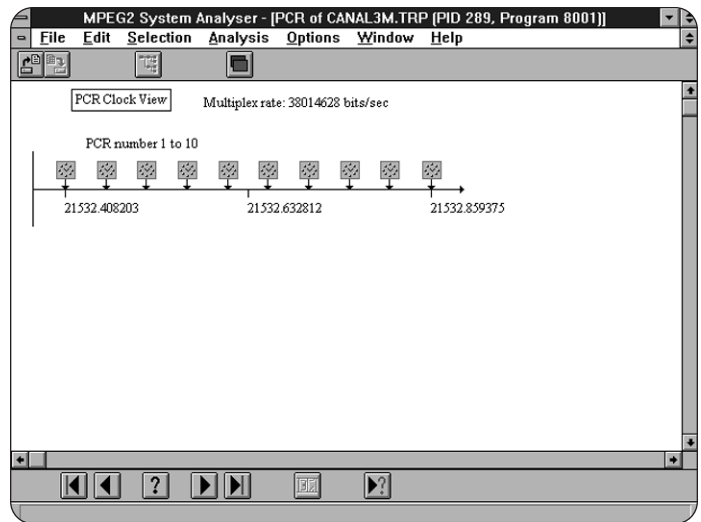
In practice, it is useful to be able to concatenate filters. In other words, it is possible to filter not just on packets having a PID of a certain value, but perhaps only packets of that PID value which also contain a PES header. By combining filters in this way, it is possible to be very specific about the data to be displayed. As fault finding proceeds, this progressive filtering allows optimization of the search process.

### 9.7 Timing Analysis

The tests described above check for the presence of the correct elements and syntax in the transport stream. However, to display real-time audio and video correctly, the transport stream must also deliver accurate timing to the



► Figure 9-8.



► Figure 9-9.

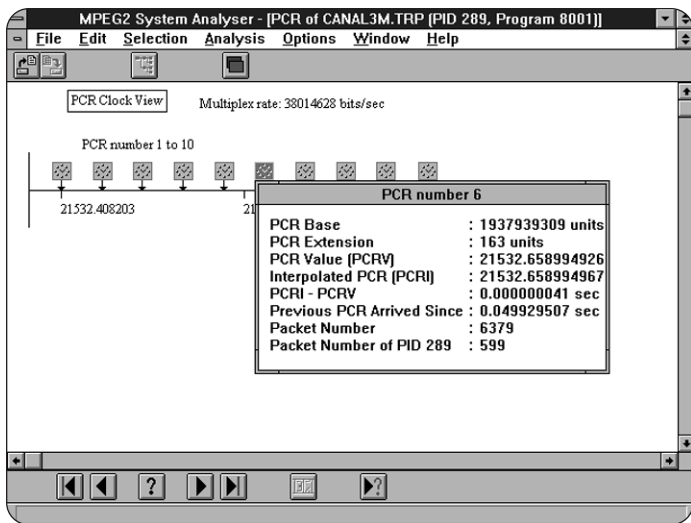
decoders. This task can be confirmed by analyzing the PCR and time-stamp data.

The correct transfer of program-clock data is vital because this data controls the entire timing of the decoding process. PCR analysis can show that, in each program, PCR data is sent at a sufficient rate and with sufficient accuracy to be compliant.

The PCR data from a multiplexer may be precise, but remultiplexing may put the packets of a given program at a different place on the time axis, requiring that the PCR data be edited by the remultiplexer. Consequently, it is important to test for PCR jitter after the data is remultiplexed.

Figure 9-9 shows a PCR display that indicates the times at which PCRs were received. At the next display level, each PCR can be opened to display the PCR

# A Guide to MPEG Fundamentals and Protocol Analysis



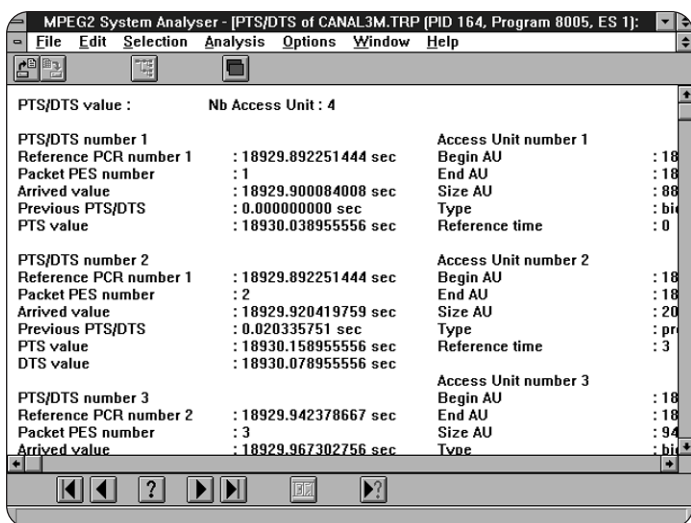
► Figure 9-10.

data, as is shown in Figure 9-10. To measure jitter, the analyzer predicts the PCR value by using the previous PCR and the bit rate to produce what is called the interpolated PCR or PCRI. The actual PCR value is subtracted from PCRI to give an estimate of the jitter. The figure also shows the time since the previous PCR arrived.

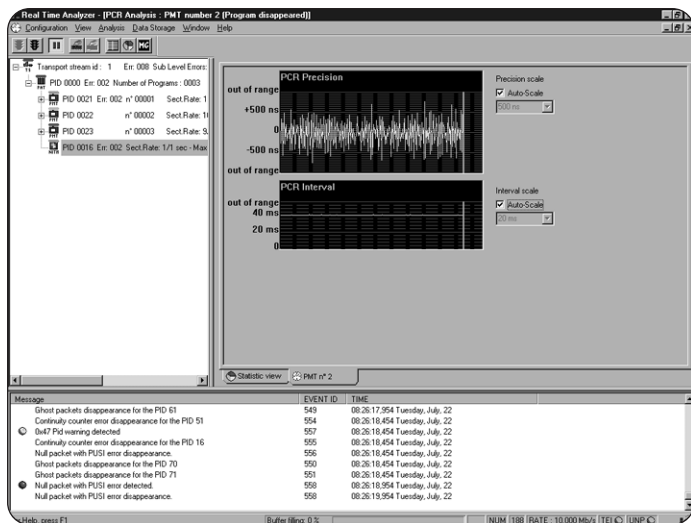
An alternate approach shown in Figure 9-11 provides a graphical display of PCR jitter and PCR repetition rate which is updated in real-time.

Once PCR data is known to be correct, the time stamps can be analyzed.

Figure 9-12 shows a time-stamp display for a selected elementary stream. The



► Figure 9-12.

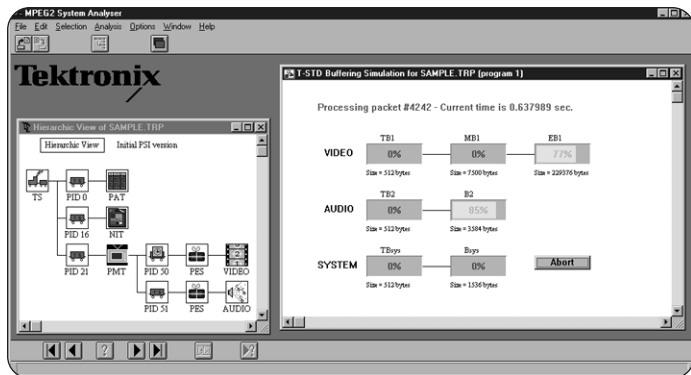


► Figure 9-11.

time of arrival, the presentation time, and, where appropriate, the decode times are all shown.

In MPEG, the reordering and use of different picture types causes delay and requires buffering at both encoder and decoder. A given elementary stream must be encoded within the constraints of the availability of buffering at the decoder. MPEG defines a model decoder called the T-STD (Transport Stream Target Decoder); an encoder or multiplexer must not distort the data flow beyond the buffering ability of the T-STD. The transport stream contains parameters called VBV (Video Buffer Verify) specifying the amount of buffering needed by a given elementary stream.

The T-STD analysis displays the buffer occupancy graphically so that overflows or underflows can be easily seen. Figure 9-13 shows a buffering display.



► Figure 9-13.



The output of a normal compressor/multiplexer is of limited use because it is not deterministic. If a decoder defect is seen, there is no guarantee that the same defect will be seen on a repeat of the test because the same video signal will not result in the same transport stream. In this case, an absolutely repeatable transport stream is essential so that the defect can be made to occur at will for study or rectification.

Transport stream jitter should be within certain limits, but a well-designed decoder should be able to recover programs beyond this limit in order to guarantee reliable operation. There is no way to test for this capability using existing transport streams because, if they are compliant, the decoder is not being tested. If there is a failure, it will not be reproducible and it may not be clear whether the failure was due to jitter or some other noncompliance. The solution is to generate a transport stream that is compliant in every respect and then add a controlled amount of jitter to it so that jitter is then known to be the only source of noncompliance. The multiplexer feature of the MTS 200 is designed to create such signals.

### 9.8 Elementary Stream Testing

Because of the flexible nature of the MPEG bit stream, the number of possibilities and combinations it can contain is almost incalculable. As the encoder is not defined, encoder manufacturers are not compelled to use every possibility; indeed, for economic reasons, this is unlikely. This fact makes testing quite difficult because the fact that a decoder works with a particular encoder does not prove compliance. That decoder may simply not be using the modes that cause the decoder to fail.

A further complication occurs because encoders are not deterministic and will not produce the same bit stream if the video or audio input is repeated. There is little chance that the same alignment will exist between I, P, and B pictures and the video frames. If a decoder fails a given test, it may not fail the next time the test is run, making fault-finding difficult. A failure with a given encoder does not determine whether the fault lies with the encoder or the decoder. The coding difficulty depends heavily on the nature of the program material, and any given program material will not necessarily exercise every parameter over the whole coding range.

To make tests that have meaningful results, two tools are required:

- ▶ A known source of compliant test signals that deliberately explore the whole coding range. These signals must be deterministic so that a decoder failure will give repeatable symptoms. The Sarnoff compliant bit streams are designed to perform this task.
- ▶ An elementary stream analyzer that allows the entire syntax from an encoder to be checked for compliance.



▶ **Figure 9-14.**

### 9.9 Sarnoff Compliant Bit Streams

These bit streams have been specifically designed by the David Sarnoff Research Center for decoder compliance testing. They can be multiplexed into a transport stream feeding a decoder.

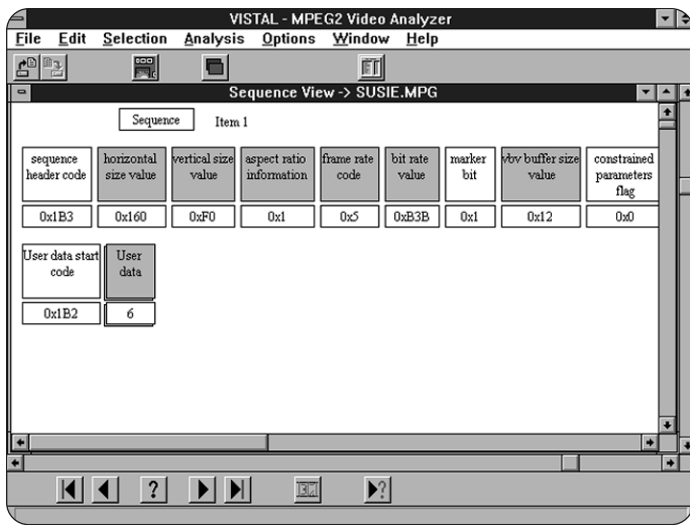
No access to the internal working of the decoder is required. To avoid the need for lengthy analysis of the decoder output, the bit streams have been designed to create a plain picture when they complete so that it is only necessary to connect a picture monitor to the decoder output to view them.

There are a number of these simple pictures. Figure 9-14 shows the gray verify screen. The user should examine the verify screen to look for discrepancies that will display well against the gray field. There are also some verify pictures which are not gray.

Some tests will result in no picture at all if there is a failure. These tests display the word “VERIFY” on screen when they complete.

Further tests require the viewer to check for smooth motion of a moving element across the picture. Timing or ordering problems will cause visible jitter.

The suite of Sarnoff tests may be used to check all of the MPEG syntax elements in turn. In one test, the bit stream begins with I pictures only, adds P pictures, and then adds B pictures to test whether all MPEG picture types can be handled and correctly reordered. Backward compatibility with MPEG-1 can be proven. Another bit-stream tests using a range of different GOP structures. There are tests that check the operation of motion vectors over the whole range of values, and there are tests that vary the size of slices or the amount of stuffing.



▶ **Figure 9-15.**

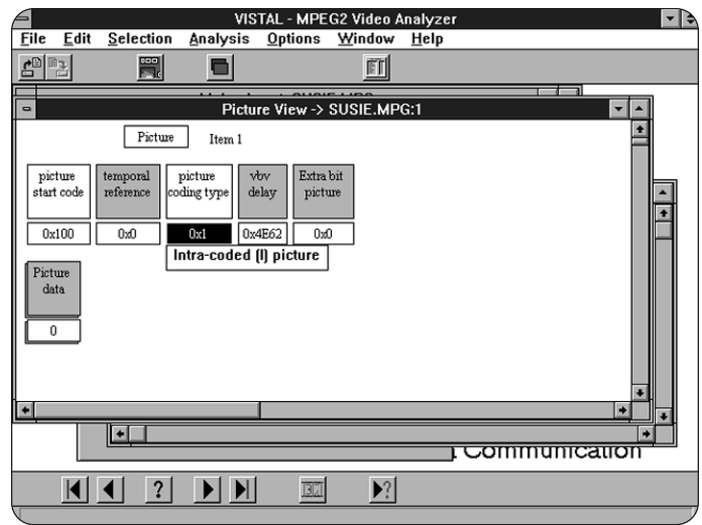
In addition to providing decoder tests, the Sarnoff streams also include sequences that cause a good decoder to produce standard video test signals to check DACs, signal levels, and composite or Y/C encoders. These sequences turn the decoder into a video test-pattern generator capable of producing conventional video signals such as zone plates, ramps, and color bars.

## 9.10 Elementary Stream Analysis

An elementary stream is a payload that the transport stream must deliver transparently. The transport stream will do so whether or not the elementary stream is compliant. In other words, testing a transport stream for compliance simply means checking that it is delivering elementary streams unchanged. It does not mean that the elementary streams were properly assembled in the first place.

The elementary-stream structure or syntax is the responsibility of the compressor. Therefore an elementary stream test is essentially a form of compressor test. It should be noted that a compressor can produce compliant syntax, and yet still have poor audio or video quality. However, if the syntax is incorrect, a decoder may not be able to interpret the elementary stream. Since compressors are algorithmic rather than deterministic, an elementary stream may be intermittently noncompliant if some less common mode of operation is not properly implemented.

As transport streams often contain several programs that come from different coders, elementary-stream problems tend to be restricted to one program, whereas transport stream problems tend to affect all programs. If problems are noted with the output of a particular decoder, then the Sarnoff compliance tests



▶ **Figure 9-16.**

should be run on that decoder. If these are satisfactory, the fault may lie in the input signal. If the transport stream syntax has been tested, or if other programs are working without fault, then an elementary stream analysis is justified.

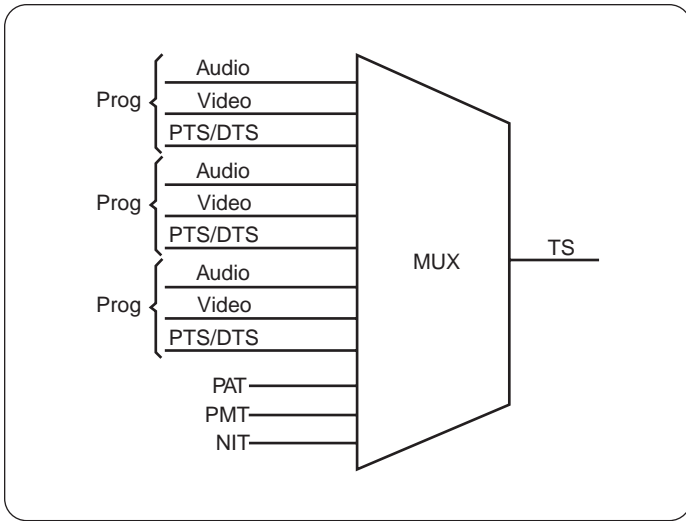
Elementary stream analysis can begin at the top level of the syntax and continue downwards. Sequence headers are very important as they tell the decoder all of the relevant modes and parameters used in the compression. The elementary-stream syntax described in Sections 4.1 and 4.2 should be used as a guide. Figure 9-15 shows part of a sequence header displayed on an MTS 200. At a lower level of syntax, Figure 9-16 shows a picture header.

## 9.11 Creating a Transport Stream

Whenever the decoder is suspect, it is useful to be able to generate a test signal of known quality. Figure 9-17 shows that an MPEG transport stream must include Program Specific Information (PSI), such as PAT, PMT, and NIT describing one or more program streams. Each program stream must contain its own program clock reference (PCR) and elementary streams having periodic time stamps.

A DVB transport stream will contain additional service information, such as BAT, SDT, and EIT tables. A PSI/SI editor enables insertion of any desired compliant combination of PSI/SI into a custom test stream.

Clearly, each item requires a share of the available transport-stream rate. The multiplexer provides a rate gauge to display the total bit rate used. The remainder of the bit rate is used up by inserting stuffing packets with PIDs that contain all 1s, which a decoder will reject.



► Figure 9-17.

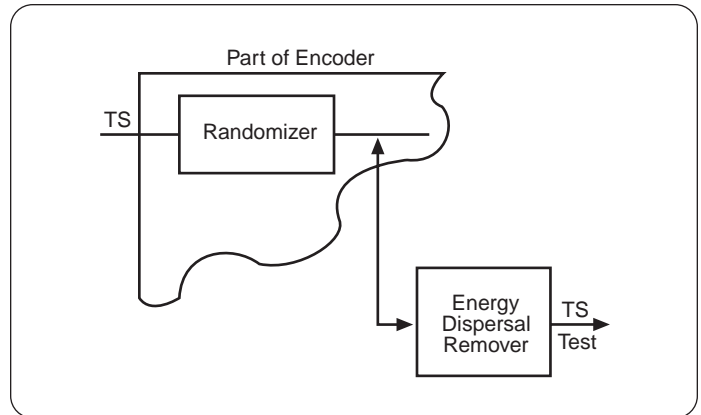
### 9.12 Jitter Generation

The MPEG decoder has to recreate a continuous clock by using the clock samples in PCR data to drive a phase-locked loop. The loop needs filtering and damping so that jitter in the time of arrival of PCR data does not cause instability in the clock.

To test the phase-locked loop performance, a signal with known jitter is required; otherwise, the test is meaningless. The MTS 200 can generate simulated jitter for this purpose. Because it is a reference generator, the MTS 200 has highly stable clock circuits and the actual output jitter is very small. To create the effect of jitter, the timing of the PCR data is not changed at all. Instead, the PCR values are modified so that the PCR count they contain is slightly different from the ideal. The modified value results in phase errors at the decoder that are indistinguishable from real jitter.

The advantage of this approach is that jitter of any required magnitude can easily be added to any program stream simply by modifying the PCR data and leaving all other data intact. Other program streams in the transport stream need not have jitter added. In fact, it may be best to have a stable program stream to use as a reference.

For different test purposes, the time base may be modulated in a number of ways that determine the spectrum of the loop phase error in order to test the loop filtering. Square-wave jitter alternates between values which are equally early or late. Sinusoidal jitter values cause the phase error to be a sampled sine wave. Random jitter causes the phase error to be similar to noise.



► Figure 9-18.

The MTS 200 also has the ability to add a fixed offset to the PCR data. This offset will cause a constant shift in the decode time. If two programs in the same transport stream are decoded to baseband video, a PCR shift in one program produces a change of sync phase with respect to the unmodified program.

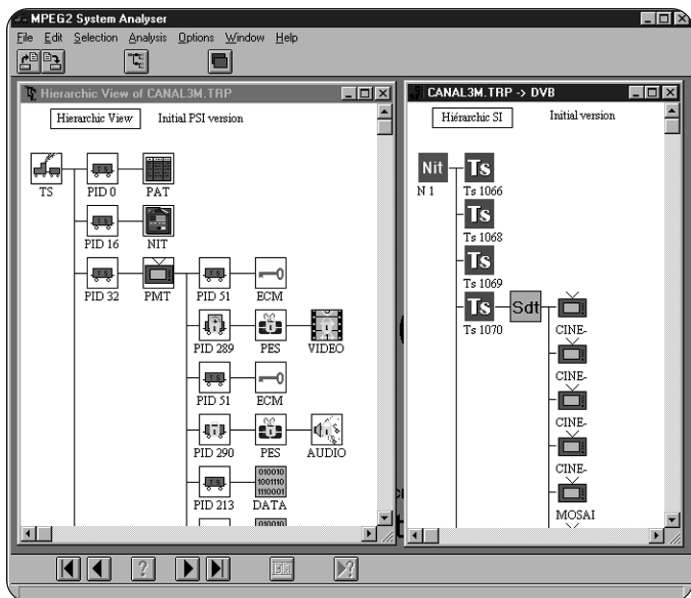
### 9.13 DVB Tests

DVB transmission testing can be divided into distinct areas. The purpose of the DVB equipment (FEC coder, transmitter, receiver, and error correction) is to deliver a transport stream to the receiver with negligible error. In this sense, the DVB layer is (or should be) transparent to MPEG, and certain testing can assume that the DVB transmission layer is intact. This assumption is reasonable because any defect in the DVB layer will usually result in excessive bit errors, and this condition will cause both an MPEG decoder and a syntax tester to misinterpret the stream. Consequently, if a transport stream tester connected to a DVB/ATSC receiver finds a wide range of many errors, the problem is probably not in the MPEG equipment, but due to errors in the transmission.

Finding transmission faults requires the ability to analyze various points in the DVB Chain, checking for conformance with DVB specifications and MPEG standards. Figure 8-1 showed the major processes in the DVB chain. For example, if an encoder and an IRD (integrated receiver decoder) are incompatible, which one is in error? Or, if the energy dispersal randomizing is not correct at either encoder or decoder, how is one to proceed?

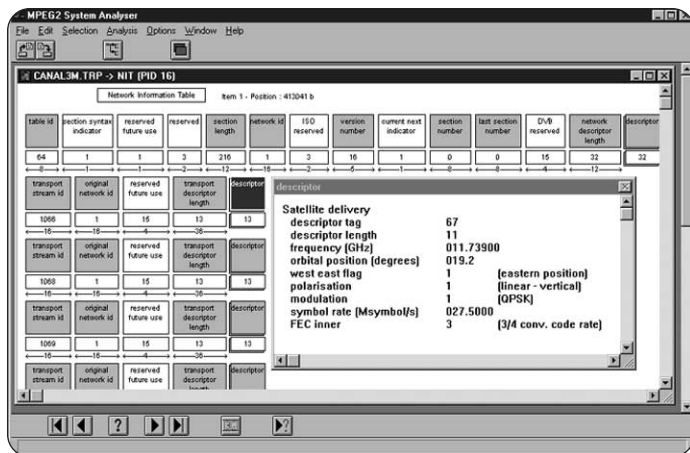
The solution is to use an analyzer that can add or remove compliant energy dispersal. Figure 9-18 shows that if energy dispersal is removed, the encoder randomizer can be tested. Alternatively, if randomized data are available, the energy dispersal removal at the IRD can be tested.

# A Guide to MPEG Fundamentals and Protocol Analysis



► **Figure 9-19.**

Similarly, the MTS 200 can add and check Reed-Solomon protection and can interleave and deinterleave data. These stages in the encoder and the reverse stages in the decoder can be tested. The inner redundancy after interleaving can also be added and checked. The only process the MTS 200 cannot perform is the modulation, which is an analog process. However, the MTS 100 can drive a modulator with a compliant signal so that it can be tested on a constellation analyzer or with an IRD. This approach is also a very simple way of producing compliant test transmissions.



► **Figure 9-20.**

Once the DVB layer is found to be operating at an acceptable error rate, a transport stream tester at the receiver is essentially testing the transport stream as it left the encoder or remultiplexer. Therefore, the transport-stream test should be performed at a point prior to the transmitter. The transport stream tests should be performed using the tests outlined above. Most of these tests operate on transport stream headers, and so there should be no difficulty if the program material is scrambled.

In addition to these tests, the DVB-specific tests include testing for the presence and the frequency of the SDT (Service Description Table), NIT (Network Information Table), and the EIT (Event Information Table). This testing can be performed using the DVB option in the MTS 200. Figure 9-19 shows a hierar-chic view of DVB-SI tables from a transport stream. Figure 9-20 shows a display of decoded descriptor data.

## ► Glossary

**AAU** – Audio Access Unit. See Access unit.

**AC-3** – An audio-coding technique used with ATSC (see **Section 4 – Elementary Streams**).

**Access Unit** – The coded data for a picture or block of sound and any stuffing (null values) that follows it.

**ATSC** – Advanced Television Systems Committee.

**Bouquet** – A group of transport streams in which programs are identified by combination of network ID and PID (part of DVB-SI).

**CAT** – Conditional Access Table. Packets having PID (see **Section 7 – Transport Streams**) codes of 1 and that contain information about the scrambling system. See ECM and EMM.

**Channel Code** – A modulation technique that converts raw data into a signal that can be recorded or transmitted by radio or cable.

**CIF** – Common Interchange Format. A 352 x 240 pixel format for 30 fps video conferencing.

**Closed GOP** – A Group Of Pictures in which the last pictures do not need data from the next GOP for bidirectional coding. Closed GOP is used to make a splice point in a bit stream.

**Coefficient** – A number specifying the amplitude of a particular frequency in a transform.

**DCT** – Discrete Cosine Transform.

**DTS** – Decoding Time Stamp. Part of PES header indicating when an access unit is to be decoded.

**DVB** – Digital Video Broadcasting. The broadcasting of television programs using digital modulation of a radio frequency carrier. The broadcast can be terrestrial or from a satellite.

**DVB-IRD** – See IRD.

**DVB-SI** – DVB Service Information. Information carried in a DVB multiplex describing the contents of different multiplexes. Includes NIT, SDT, EIT, TDT, BAT, RST, and ST (see **Section 8 – Introduction to DVB/ATSC**).

**DVC** – Digital Video Cassette.

**Elementary Stream** – The raw output of a compressor carrying a single video or audio signal.

**ECM** – Entitlement Control Message. Conditional access information specifying control words or other stream-specific scrambling parameters.

**EIT** – Event Information Table. Part of DVB-SI.

**EMM** – Entitlement Management Message. Conditional access information specifying authorization level or services of specific decoders. An individual decoder or a group of decoders may be addressed.

**ENG** – Electronic News Gathering. Term used to describe use of video-recording instead of film in news coverage.

**EPG** – Electronic Program Guide. A program guide delivered by data transfer rather than printed paper.

**FEC** – Forward Error Correction. System in which redundancy is added to the message so that errors can be corrected dynamically at the receiver.

**GOP** – Group Of Pictures. A GOP starts with an I picture and ends with the last picture before the next I picture.

**Inter-coding** – Compression that uses redundancy between successive pictures; also known as temporal coding.

**Interleaving** – A technique used with error correction that breaks up burst errors into many smaller errors.

**Intra-coding** – Compression that works entirely within one picture; also known as spatial coding.

**IRD** – Integrated Receiver Decoder. A combined RF receiver and MPEG decoder that is used to adapt a TV set to digital transmissions.

**Level** – The size of the input picture in use with a given profile (see **Section 2 – Compression in Video**).

**Macroblock** – The screen area represented by several luminance and color-difference DCT blocks that are all steered by one motion vector.

**Masking** – A psycho-acoustic phenomenon whereby certain sounds cannot be heard in the presence of others.

**NIT** – Network Information Table. Information in one transport stream that describes many transport streams.

**Null Packets** – Packets of “stuffing” that carry no data but are necessary to maintain a constant bit rate with a variable payload. Null packets always have a PID of 8191 (all 1s). (See **Section 7 – Transport Streams**.)

**PAT** – Program Association Table. Data appearing in packets having PID (see **Section 7 – Transport Streams**) code of zero that the MPEG decoder uses to determine which programs exist in a Transport Stream. PAT points to PMT, which, in turn, points to the video, audio, and data content of each program.

## A Guide to MPEG Fundamentals and Protocol Analysis

**PCM** – Pulse Code Modulation. A technical term for an analog source waveform, for example, audio or video signals, expressed as periodic, numerical samples. PCM is an uncompressed digital signal.

**PCR** – Program Clock Reference. The sample of the encoder clock count that is sent in the program header to synchronize the decoder clock.

**PCRI** – Interpolated Program Clock Reference. A PCR estimated from a previous PCR and used to measure jitter.

**PID** – Program Identifier. A 13-bit code in the transport packet header. PID 0 indicates that the packet contains a PAT PID. (See **Section 7 – Transport Streams**.) PID 1 indicates a packet that contains CAT. The PID 8191 (all 1s) indicates null (stuffing) packets. All packets belonging to the same elementary stream have the same PID.

**PMT** – Program Map Tables. The tables in PAT that point to video, audio, and data content of a transport stream.

**Packets** – A term used in two contexts: in program streams, a packet is a unit that contains one or more presentation units; in transport streams, a packet is a small, fixed-size data quantum.

**Preprocessing** – The video signal processing that occurs before MPEG Encoding. Noise reduction, downsampling, cut-edit identification, and 3:2 pull-down identification are examples of preprocessing.

**Profile** – Specifies the coding syntax used.

**Program Stream** – A bit stream containing compressed video, audio, and timing information.

**PTS** – Presentation Time Stamps. The time at which a presentation unit is to be available to the viewer.

**PSI** – Program Specific Information. Information that keeps track of the different programs in an MPEG transport stream and in the elementary streams in each program. PSI includes PAT, PMT, NIT, CAT, ECM, and EMM.

**PSI/SI** – A general term for combined MPEG PSI and DVB-SI.

**PU** – Presentation Unit. One compressed picture or block of audio.

**QCIF** – One-quarter-resolution (176 x 144 pixels) Common Interchange Format. See CIF.

**QSIF** – One-quarter-resolution Source Input Format. See SIF.

**RLC** – Run Length Coding. A coding scheme that counts number of similar bits instead of sending them individually.

**SDI** – Serial Digital Interface. Serial coaxial cable interface standard intended for production digital video signals.

**STC** – System Time Clock. The common clock used to encode video and audio in the same program.

**SDT** – Service Description Table. A table listing the providers of each service in a transport stream.

**SI** – See DVB-SI.

**SIF** – Source Input Format. A half-resolution input signal used by MPEG-1.

**ST** – Stuffing Table.

**Scalability** – A characteristic of MPEG-2 that provides for multiple quality levels by providing layers of video data. Multiple layers of data allow a complex decoder to produce a better picture by using more layers of data, while a more simple decoder can still produce a picture using only the first layer of data.

**Stuffing** – Meaningless data added to maintain constant bit rate.

**Syndrome** – Initial result of an error checking calculation. Generally, if the syndrome is zero, there is assumed to be no error.

**TDAC** – Time Domain Aliasing Cancellation. A coding technique used in AC-3 audio compression.

**TDT** – Time and Date Table. Used in DVB-SI.

**T-STD** – Transport Stream System Target Decoder. A decoder having a certain amount of buffer memory assumed to be present by an encoder.

**Transport Stream** – A multiplex of several program streams that are carried in packets. Demultiplexing is achieved by different packet IDs (PIDs). See PSI, PAT, PMT, and PCR.

**Truncation** – Shortening the wordlength of a sample or coefficient by removing low-order bits.

**VAU** – Video Access Unit. One compressed picture in program stream.

**VLC** – Variable Length Coding. A compressed technique that allocates short codes to frequency values and long codes to infrequent values.

**VOD** – Video On Demand. A system in which television programs or movies are transmitted to a single consumer only when requested.

**Vector** – A motion compensation parameter that tells a decoder how to shift part of a previous picture to more closely approximate the current picture.

**Wavelet** – A transform in the basis function that is not of fixed length but that grows longer as frequency reduces.

**Weighting** – A method of changing the distribution of the noise that is due to truncation by pre-multiplying values.



ASEAN Countries (65) 356-3900

Australia & New Zealand 61 (2) 9888-0100

Austria, Central Eastern Europe,  
Greece, Turkey, Malta & Cyprus +43 2236 8092 0

Belgium +32 (2) 715 89 70

Brazil and South America 55 (11) 3741-8360

Canada 1 (800) 661-5625

Denmark +45 (44) 850 700

Finland +358 (9) 4783 400

France & North Africa +33 1 69 86 81 81

Germany + 49 (221) 94 77 400

Hong Kong (852) 2585-6688

India (91) 80-2275577

Italy +39 (2) 25086 501

Japan (Sony/Tektronix Corporation) 81 (3) 3448-3111

Mexico, Central America, & Caribbean 52 (5) 666-6333

The Netherlands +31 23 56 95555

Norway +47 22 07 07 00

People's Republic of China 86 (10) 6235 1230

Republic of Korea 82 (2) 528-5299

South Africa (27 11) 651-5222

Spain & Portugal +34 91 372 6000

Sweden +46 8 477 65 00

Switzerland +41 (41) 729 36 40

Taiwan 886 (2) 2722-9622

United Kingdom & Eire +44 (0)1344 392000

USA 1 (800) 426-2200

For other areas, contact: Tektronix, Inc. at 1 (503) 627-1924

### For Further Information

Tektronix maintains a comprehensive, constantly expanding collection of application notes, technical briefs, and other resources to help engineers working on the cutting edge of technology.

Please visit "Resources For You" on our Web site at [www.tektronix.com](http://www.tektronix.com)



Copyright © 2000, Tektronix, Inc. All rights reserved. Tektronix products are covered by U.S. and foreign patents, issued and pending. Information in this publication supersedes that in all previously published material. Specification and price change privileges reserved. TEKTRONIX and TEK are registered trademarks of Tektronix, Inc. All other trade names referenced are the service marks, trademarks or registered trademarks of their respective companies.

